



2025 RETAIL Price Book

Effective Date 08/08/25

Wood Chimney	Page
Excel 103HT Class A Chimney	3-10
R.I.S. Chimney	11-16
Ultrablack Double Wall Stove Pipe <i>7" NON-STOCK WITH EXTENDED LEAD TIMES</i>	17
Excel Prime Black Stove Pipe <i>7" NON-STOCK - MADE TO ORDER</i>	18-19
Pellet Venting	
Excel Pellet Venting	20-23
Wood Liner	
Excel Rigid Liner	24-25
Gas Venting	
Excel Direct Vent	26-30
Excel Direct Power Vent (Currently Approved for Ortal & Urbana Fireplaces)	31-33
Excel Direct Power Vent Required Components Guide - for Ortal Fireplaces	34-35
Excel Direct Power Vent vs. CVS (Duravent) - "Compare Components" List	36



EXCELDirect Power Vent®

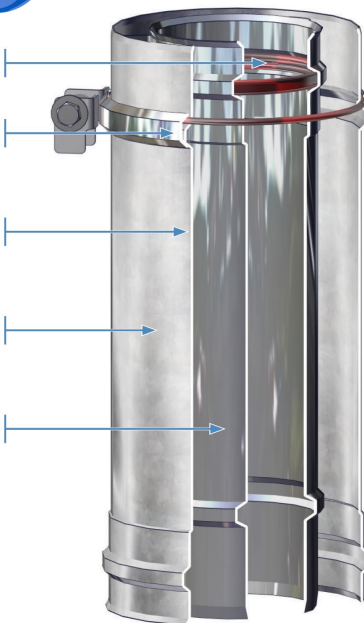
High-Temp Rubberized Silicone Gaskets

Heavy-Duty S/S Locking Band

Precision Laser-Welded Construction

5" Diameter Galvalume Exterior

3" Diameter 444 Stainless Interior



EXCEL POWER VENT ADVANTAGE:

- **CURRENTLY APPROVED FOR ORTAL & URBANA** (pending w/other top fireplace manufacturers)
- **Listed to 550 Degrees F** (higher than other brands)
- **Tightest Seals on the Market**
- **Locking Bands for "Rigid Pipe"** (allows for longer venting runs)
- **No Twist-Lock** - Adjust Pipe and Fittings as Needed
- **Clean Assembly** - NO Lubricants on Pipe or Components for Mess-Free



AES



Order Online at:
order.aes4home.com

Serving you with Five Distribution Centers - Seattle, WA - Sacramento, CA - Denver, CO - Minneapolis, MN - Dallas, TX

Industrial Chimney Company

Excel 103HT Insulated Class A Chimney



Excel Chimney is the only chimney sold in the U.S.A. that meets the more stringent Canadian 30 minute chimney fire test. This means that with Excel, your customers are getting the safest chimney on the market.

There are no couplings on the ends of Excel 103HT. Eliminating the coupling also eliminates the thermal bridge between the flue and the casing. With Excel 103HT, the insulation runs continuously from section to section. As a result, there are no hot spots.

With the continuous weld of Excel 103HT, there are only two thicknesses of materials, and only 1/4" of overlap. This allows the flue to expand and contract uniformly around its circumference. The continuous weld on Excel 103HT is totally watertight, eliminating a potential source of chimney corrosion.

Excel 103HT "Smart Parts" make it the easiest chimney system available to install and inventory. 6" Excel 103HT only requires a 10" hole in the ceiling when used with its round or square support. Most brands require a 12" hole. Since roof trusses and floor joists rarely line up with the desired chimney location, a smaller support almost always makes the installation easier.

Excel 103HT is the first insulated chimney to offer adjustable lengths. Adjustable lengths relieve many installation headaches by allowing unlimited center-to-center offsets, easy balancing of cap heights and painless overall length adjustment.

Adjustable wall supports allow for variations in wall finish, virtually eliminating bracing and blocking. The Excel 103HT wall support installs above the insulated tee which virtually allows it to be screwed to the framing instead of anchored into concrete. Excel roof supports, wall supports, offset supports and roof braces adjust to fit 6, 7 and 8 inch chimney.

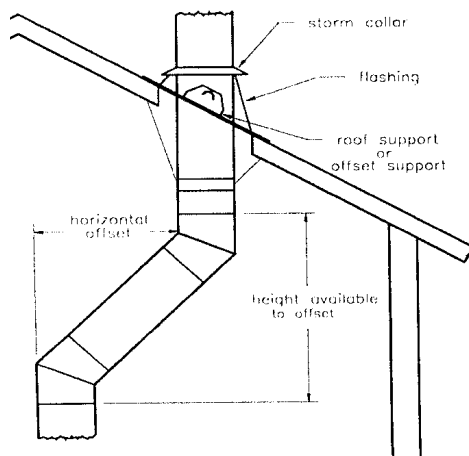
Excel is protected by a comprehensive lifetime warranty. The warranty provides for full replacement of any chimney lengths damaged as a result of normal wood stove or fireplace operation (including chimney fires) for a period of ten years from the date of installation. See installation guide for details.

Industrial Chimney Company manufactures product from 5" up to 24" inner diameter. For pricing and availability, call AES Inside Sales.

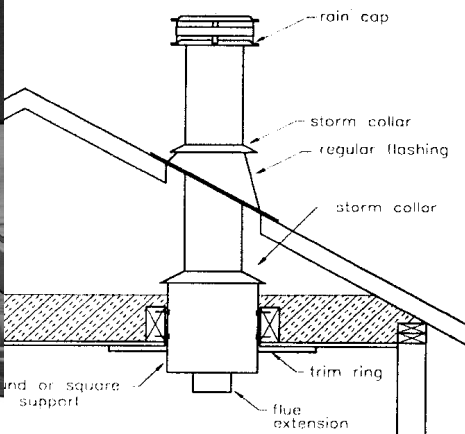
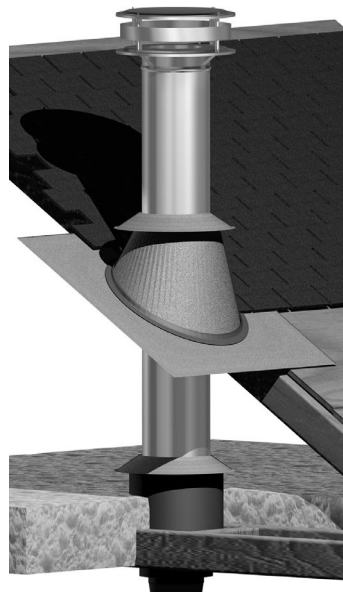
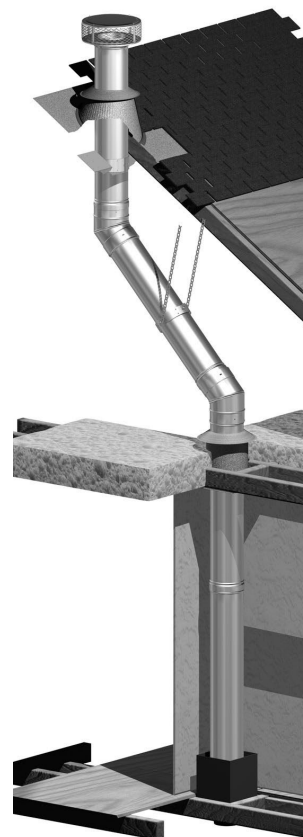


Industrial Chimney Company

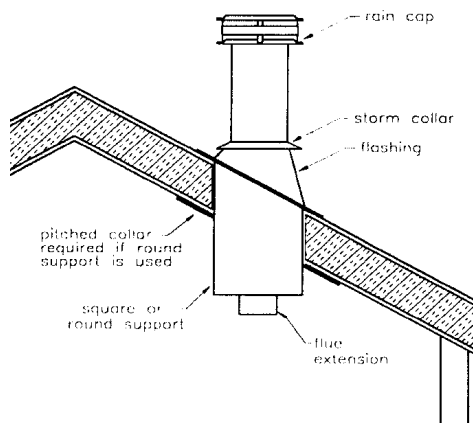
Excel 103HT Insulated Class A Chimney



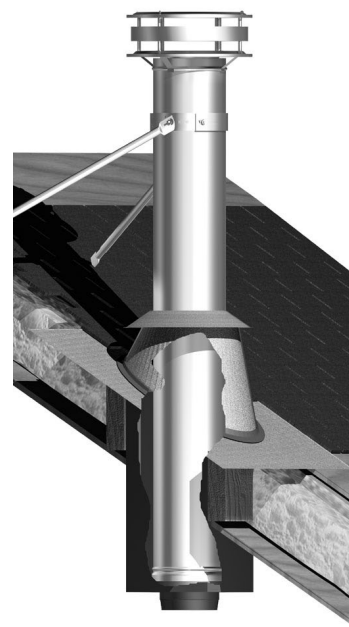
Typical Offset, Two Story Installation



Typical Main Floor Installation



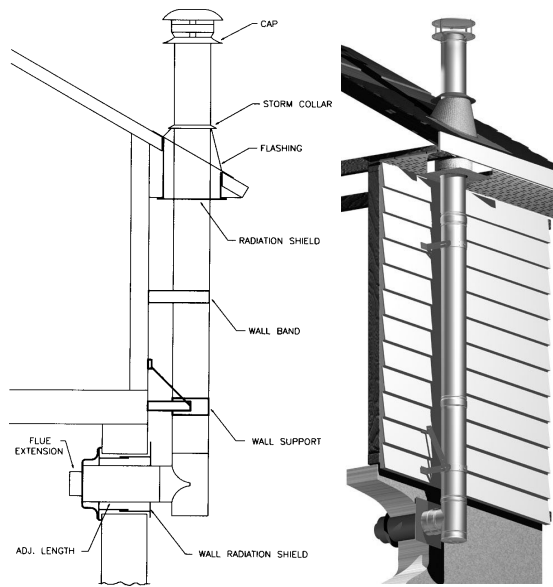
Typical Cathedral Installation



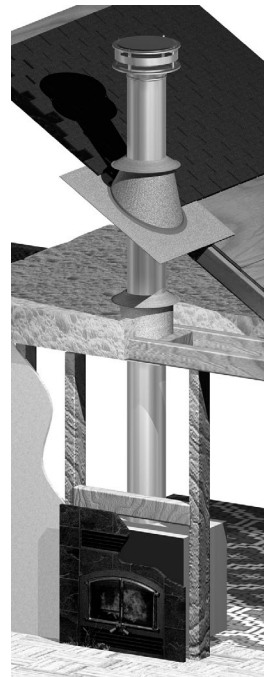


Industrial Chimney Company

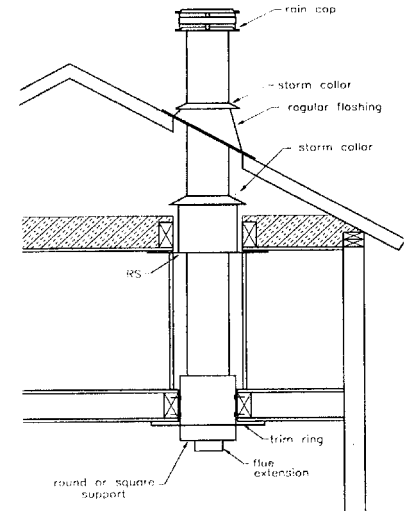
Excel 103HT Insulated Class A Chimney



Typical Through-Wall Installation



Typical Zero-Clearance Installation



Typical Interior 2-story Free-standing Installation

Insulated Lengths

Excel chimney sections are available in 48", 24", 18", 12" and 6" lengths as well as an 18" adjustable length. This unique part enables an installer to adjust the system to the exact overall length required for any installation. The most common applications are between elbows to achieve any required center-to-center offset. This balances the chimney height when necessary so that the caps line up for functional or aesthetic reasons. Also used when a specific horizontal offset is required. The adjustable length must be installed above a straight chimney section. It will not adjust into an elbow or tee.



Adjustable Length

Tee

The insulated tee may be used on the interior or exterior of the building and in combination with a wall support assembly. Tee cap has a handle on the bottom to simplify removal for cleaning.



Tee

Elbows

Excel elbows are available in 15, 30 and 45 degrees. All Excel elbows are tested and listed to the UL 103HT and ULC S629 standards. Please consult your local inspector before using 45 degree elbows.



Elbow

Round and Square Supports

Excel 103HT ceiling supports are suitable for use on all flat or sloping ceilings. They must project into the room a minimum of 3 inches on a flat ceiling. These supports are designed to act as a combination of support and attic radiation shield. To use either support as an attic radiation shield, simply close the open area at the top of the support (in the attic) with a storm collar. The trim collars are separate from the supports allowing for easy installation before or after the ceiling finish is applied. Square supports include a black end cap and trim ring.



Square Support

Support Extensions

Support extensions are available to facilitate installations on very steep pitched ceilings or where the chimney must project unusually far into the room. Both the round and square support extensions are 24" long.

Flue Extension

The flue extension fastens to the bottom of the first chimney section with three screws making it



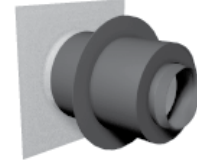
Industrial Chimney Company

Excel 103HT Insulated Class A Chimney



Wall Radiation Shield

The wall radiation shield is used when the chimney passes horizontally through a combustible wall. The WRS telescopes to adjust for wall thickness, so no painting is required. The inside trim collar is separate from the WRS, allowing for easy installation before or after the wall finish is applied. Includes a flue extension and trim ring.



Wall Radiation Shield

Wall Support/Wall Band

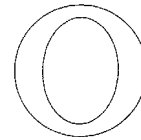
The wall support is used to support the vertical chimney on a through-the-wall installation. It installs on the first section of the chimney above the tee (not on the tee itself) thus making it easier to fasten the support to framing instead of into concrete. It is a universal design made to slide in and out to fit a variety of wall profiles. An Extended Wall Support is available (in place of the standard Wall Support) for installations requiring added extension flexibility.



Wall Band

Trim Rings

Used to finish round supports. Chimney Trim Rings are used to finish chimney pipe with no support.



Trim Ring

Locking Band

All Excel 103HT insulated components are designed to be fastened together with the stainless steel screws provided with each part. In some cases, it may be desirable to install a locking band. The locking band is designed to overlap the two beads immediately above and below the chimney joint and fasten with a 1/4" bolt.

Wall Channel

The wall channel enables a wall support or wall band to be fastened solidly to the framing when the framing centers don't line up with the chimney opening. The wall channel is 24" long.



Roof Support

Roof Support

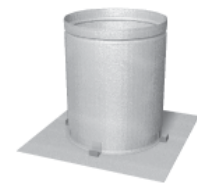
The roof support is primarily used when it is difficult to use a round or square support in a cathedral ceiling. It can also be used above an offset or to provide additional support when the chimney height exceeds the capacity of the primary support. The roof support utilizes a universal band and is made with adjustable brackets allowing it to adjust easily to any roof pitch.

Offset Support

The offset support is primarily used to re-support the chimney above an offset, however it may also be used to provide additional support when the chimney height exceeds the capacity of the primary support. The offset support straps are 24" long.

Roof Brace

The roof brace is used to provide lateral support for a chimney which extends more than 5 feet above a roof. The roof brace utilizes a universal band to fit 6, 7 and 8 inch chimneys. The arms on the roof brace telescope from 5 feet to 10 feet long.



Radiation Shield

Radiation Shield

The radiation shield is used to protect combustible framing in the floor or ceiling adjacent to the chimney. It serves as a firestop spacer to prevent a fire from traveling through the opening between the chimney and the framing. Use the Insulated Radiation Shield for energy efficient construction.

Chimney Top Damper

Adding this "Top Damper" to a system seals it right at the top of the chimney. The "Chimney Top Damper" is placed directly below the cap and is designed to prevent any cold air infiltration into the



Chimney Top



AES



Order Online at:
order.aes4home.com

Serving you with Five Distribution Centers - Seattle, WA - Sacramento, CA - Denver, CO - Minneapolis, MN - Dallas, TX

Industrial Chimney Company

Excel 103HT Insulated Class A Chimney

Anchor Plate

The anchor plate is used to fasten an Excel chimney system to a masonry fireplace or extend an existing masonry chimney.

Snow Wedge

Protects from heavy snow load. Fasten to plywood or backing with a minimum of 8 screws. Tabs on wedge are adjustable from 4/12 roof pitch up to 12/12.

Rain Cap

Excel rain caps are made entirely of stainless steel. The dome is designed to shed rain and debris, while optimizing draft. Excel chimneys must be installed with an Excel rain cap. The deluxe cap also has a skirt to deflect wind and a stainless steel band to reduce the entry of driving rain. An optional spark screen is available to help arrest sparks in installations where they may pose a safety problem. The rain cap is very easy to install and to remove for cleaning and is held in place by four screws through the tabs provided into the chimney.

Revolving Rain Cap

The revolving rain cap helps to prevent the entry of wind driven rain and helps to prevent wind induced downdrafts.

Deluxe Rain Cap

The deluxe cap is made from .025" thick type 304 stainless steel and carries a lifetime 100% full replacement warranty.

Rain Cap Base

The bottom portion only of the rain cap to allow for a custom chimney top termination.

Spark Screen

Used in conjunction with a rain cap for spark protection.

Decorative Caps - Round & Square

The decorative caps are designed to simulate terra cotta chimney pots for superior aesthetics when terminating a site fabricated chase. They can also be used to terminate a chimney liner in a masonry chimney. A decorative cap flashing is required. NOTE: The installation requirements for these caps are quite specific and should be reviewed before constructing the chase.

Flexible Base Flashing

The flexible base flashing combines a stainless steel cone with a flexible lead base which can be easily formed on site to match virtually any roof profile. It was designed for masonry tile roofs but can be used wherever a flexible base is required.

Decorative Cap Flashing

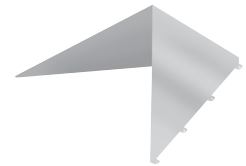
The decorative cap flashing is made from galvalume steel only and is required with the decorative cap.

Flashings

Standard flashings are available in a variety of configurations to suit various chimney diameters, roof slopes and installation types. Ventilated flashings are intended for mobile home use and for installations where the chimney is enclosed in the attic. All flashings include a collar.

Metal Roof Flashings

Metal roof flashings are designed to be easily installed on most metal roof profiles. These flashings are offered in a variety of configurations to suit most roof slopes. Offered in galval-



Snow Wedge



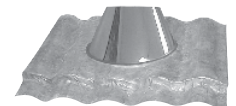
Regular Rain Cap



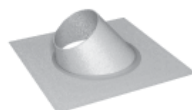
Revolving Rain Cap



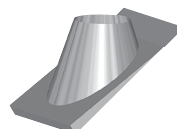
Decorative Caps



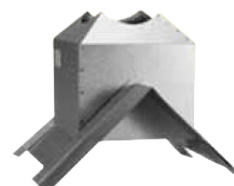
Flexible Base Flashing



Flat Flashing



Metal Roof Flashing



Peak Flashing




Industrial Chimney Company

Excel 103HT Insulated Class A Chimney



Stainless Steel EXCEL Insulated Lengths

 For stock status, please visit order.aes4home.com or call 800-682-9722

Item No.	Description	5"	6"	7"	8"
ICXC__EL6	6" Length	\$159.00	\$179.00	\$213.00	\$263.00
ICXC__EL12	12" Length	172.00*	191.00	227.00	277.00
ICXC__EL18	18" Length	201.00*	222.00	263.00	318.00
ICXC__ELA18	18" Adjustable Length	273.00*	304.00	376.00	440.00
ICXC__EL24	24" Length	273.00*	304.00	376.00	440.00
ICXC__EL36	36" Length	393.00	434.00	516.00	629.00
ICXC__EL48	48" Length	465.00	516.00	665.00	778.00

Stainless Steel Tees and Elbows

ICXE__ETI	Insulated Tee w/Cap	\$497.00*	\$553.00	\$710.00	\$810.00
ICXE__EITC	Insulated Tee Cap (optional)	141.00*	157.00*	174.00*	188.00*
ICXE__EE15	15° Elbow	261.00*	290.00	331.00	395.00
ICXE__EE30	30° Elbow	381.00*	422.00	440.00	504.00
ICXE__EE45	45° Elbow (Approved for Canada Only)	402.00	448.00	493.00	547.00

Caps

ICXM__ERC	Regular Rain Cap	\$154.00*	\$156.00	\$172.00	\$201.00
ICXM__EDRC	Deluxe Rain Cap	-	201.00	250.00	313.00
ICXM__ERCB	Rain Cap Base	-	46.00	50.00	54.00
ICXM__ERRC	Revolving Rain Cap (Add ICXMERCs if Sparkscreen is desired)	-	510.00	510.00	510.00
ICXM__EDRCSS	Deluxe Rain Cap w/Screen (Stocked in CA)	-	250.00	-	-
ICXM__ERCSS	Regular Rain Cap w/Screen (Stocked in CA)	-	193.00	209.00	225.00
ICXMERCs	Spark Screen - Stainless Steel (Adjustable 5" - 8")	50.00			
ICXMERCW	Wind Shield	118.00			

Supports

ICXM__ERDS	Round Support	\$250.00*	\$267.00	\$273.00	\$281.00
ICXM__ERDSI	Insulated Round Support	-	456.00	483.00*	510.00
ICXM__ES	Galvanized Ceiling Support	166.00*	166.00*	177.00*	195.00*
ICXM__ESS	Square Support Box	-	281.00	286.00	295.00
ICXM6ESS12	Square Support Box 12"x12" (SQS Special)	-	288.00	-	-





Industrial Chimney Company

Excel 103HT Insulated Class A Chimney



Supports

 For stock status, please visit order.aes4home.com or call 800-682-9722

Item No.	Description	5"	6"	7"	8"
ICXM__ERTA	Round Support Trim Ring, 1/12-4/12	-	\$116.00		
ICXM__ERTB	Round Support Trim Ring, 4/12-8/12	-	116.00		
ICXM__ERTC	Round Support Trim Ring, 8/12-12/12	-	116.00	116.00*	
ICXM__ERDSE	Round Support Extension, 24" Long	-	-	127.00	
ICXM__ESSE	Square Support Extension, 24" Long	-	96.00	104.00	114.00
ICXM__ECT	Flat Chimney Trim Ring	-	96.00		
ICXM__ECTA	Chimney Trim Ring, 1/12-4/12	-	116.00		
ICXM__ECTB	Chimney Trim Ring, 4/12-8/12	-	116.00		
ICXM__ECTC	Chimney Trim Ring, 8/12-12/12	-	116.00		
ICXM5ESR	5" Roof Support	137.00	-		
ICXM5EWS	5" Wall Support	129.00*	-		
ICXM5EOS	5" Offset Support	75.00*	-		
ICXMESR	6", 7", 8" Roof Support	-	150.00		
ICXMEWS	6", 7", 8" Wall Support	-	129.00		
ICXMEOS	6", 7", 8" Offset Support - 24" Long	-	81.00		
ICXMEWSE	Extended Wall Support, 12 1/2" - 18 1/2"	-	270.00		
ICXMEWSR	Wall Support (Old Style)	-	177.00		
ICXM56ERDSE	Round Support Extension Collar	118.00		-	
ICXMESQSC	Square Support Attic Collar and Roof Flashing (5 1/4" Wide Storm Collar, Used on Square Support as Insulation Shield) LIMITED TO STOCK ON HAND, NEW BELOW	61.00			
 ICXM__ESQSC	Square Support Storm Collar WILL NOT SHIP UNTIL ICXMESQSC STOCK DEPLETED	-	85.00	91.00	98.00
ICXMEGEG	Gable End Guide, Adjustable Arms Fit up to 12/12 Pitch	-	114.00		

Flashings (All ICC flashings include a Storm Collar)

ICXF__EF	Flat Flashing	\$152.00*	\$168.00	\$195.00	\$227.00
ICXF__EFA	Flashing, 1/12 - 7/12	152.00*	168.00	195.00	227.00
ICXF__EFB	Flashing, 8/12 - 12/12	159.00*	179.00	205.00	236.00
ICXF__EFC	Flashing, 12/12 - 21/12	213.00*	236.00	263.00	300.00
ICXF__EMFA	Metal Roof Flashing, 1/12 - 7/12	225.00*	242.00	268.00	302.00
ICXF__EMFB	Metal Roof Flashing, 8/12 - 12/12	232.00	250.00	275.00	308.00
ICXF__EMFC	Metal Roof Flashing, 12/12 - 21/12	288.00*	308.00	339.00	372.00
ICXF__EVF	Vented Flat Flashing	-	229.00	273.00	324.00*
ICXF__EVFA	Vented Flashing, 1/12 - 7/12	-	229.00	273.00	324.00
ICXF__EVFB	Vented Flashing, 8/12 - 12/12	-	238.00	281.00	333.00
ICXF__EVFC	Vented Flashing, 12/12 - 21/12	-	297.00	341.00*	393.00
ICXF__EFP	Peak Flashing, 2/12 - 12/12	-	363.00	370.00	376.00
ICXF__ESF	Stainless Steel Flat Flashing	-	310.00	331.00	351.00
ICXF__ESFA	Stainless Steel Flashing, 1/12 - 7/12	-	310.00	331.00	351.00
ICXF__ESFB	Stainless Steel Flashing, 8/12 - 12/12	-	327.00	349.00*	363.00
ICXF__ESFC	Stainless Steel Flashing, 12/12 - 21/12	-	401.00*	438.00*	475.00*
ICXF__ELFA	Flexible Base Flashing, 1/12 - 7/12	-	780.00		
ICXF__ELFB	Flexible Base Flashing, 8/12 - 12/12	-	780.00		



Industrial Chimney Company

Excel 103HT Insulated Class A Chimney



Firestops					
Item No.	Description	5"	6"	7"	8"
ICXM__ERS	Regular Radiation Shield/Firestop	\$114.00	\$127.00	\$145.00	\$156.00
ICXM__EWRS	Wall Radiation Shield	245.00	273.00	277.00	286.00
ICXM__EWRSI	Insulated Wall Radiation Shield	-	456.00	483.00	510.00
ICXM__EST	Stainless Steel Trim for EWRS	-	71.00		
ICXM__ERRS	Roof Radiation Shield	-	123.00	133.00	147.00
ICXM__ERSC	Cathedral Radiation Shield	-	218.00	242.00	267.00
ICXM__EWRSI30	Angled Firestop 30°	-	407.00		429.00
ICXM__EWRSI45	Angled Firestop 45°	-	407.00		429.00
Accessories					
ICXM__EX	Flue Extension	\$102.00	\$114.00	\$118.00	\$127.00
ICXM__EAP	Anchor Plate	156.00	156.00	180.00	209.00
ICXM__EAPD	Anchor Plate Damper w/12" Chain	-	590.00*		
ICXM__EAPD2	Anchor Plate Damper w/Rod	-	524.00*		
ICXM__ETD	Chimney Top Damper	-	-	431.00*	456.00*
ICXM__ELB	Locking Band	-	46.00	50.00	54.00
ICXM5ERB	5" Roof Brace	256.00	-		
ICXMERB	6", 7", 8" Roof Brace	-	256.00		
ICXMESRB	6", 7", 8" Stainless Steel Roof Brace - Universal	-	413.00		
ICXMESW	Adjustable Snow Wedge, 4/12 - 12/12	-	417.00		
ICXMEAS	Adjustable Support Stud	111.00			
ICXMEWC	Wall Channel	73.00			
ICXMESSS	Stainless Tek Screws (100)	50.00			
ICXMESCS	Storm Collar, 2" Wide	48.00			
ICXMESSC	Stainless Steel Storm Collar	91.00			
ICXMECR	Caulking Roll	22.00			
ICXMHK	Hardware Kit - Includes SS Bolts, Elevator Bolts, Thumb-screws, Wingnuts and Variety of Nuts and Washers	91.00			
ICXMERBS	Roof Brace Stiffener	225.00			
ICXF__EVCC	Ventilated Chase Cone	-	166.00	175.00	184.00

Dealer Showroom Display Items				
Item No.	Description	Wt.	Net Cost	
ICZZ6DISPLAY	ICC Chimney Pipe Showroom Display	200 lbs.	\$1,180.00	
An instructional guide for your showroom. Highlights the safety features and most commonly used parts of Excel 103HT chimney for your customers. Comes complete with all venting components and signage. Footprint is approximately 2'D x 3'W.				
ICZPOPXPOP2	Excel Cardboard Display Stand (fits on single piece of excel pipe, not included)	0.5 lbs.	60.00	
ICZPOPADUB	Ultra Black Cardboard Display Stand (fits on single piece of ultra black pipe, not included)	0.5 lbs.	60.00	





Industrial Chimney Company Residential Insulated Stack (R.I.S.)



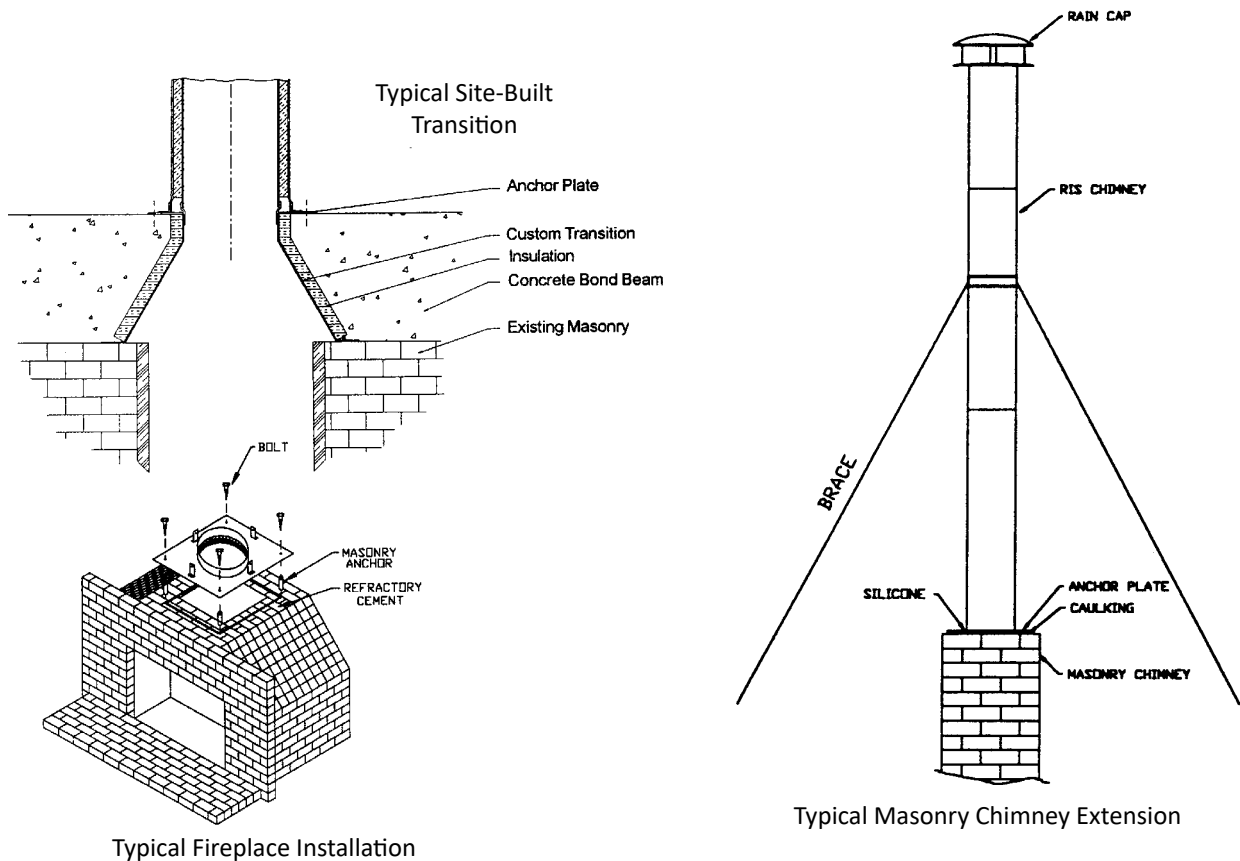
Residential Insulated Stack (R.I.S.) may be used to extend a masonry chimney which has been lined with an approved chimney liner. This type of repair is generally found where the original flue tile has been damaged by chimney fire or moisture and, in cases, where the flue has been relined to reduce its cross section. R.I.S. may also be used as a chimney for masonry fireplaces.

R.I.S. chimneys have been specifically designed, tested and listed to vent masonry fireplaces in residential installations and to extend existing masonry chimneys. One of the primary applications of R.I.S. is for the repair of earthquake damaged masonry fireplaces and chimneys. ICC provides components designed to correctly adapt its products to existing masonry construction and warrants the performance and mechanical integrity of its system when it is correctly installed on a structurally sound foundation.

The R.I.S. anchor plate has a single wall connector section designed to allow a metal chimney liner to be screwed directly to it. Refer to the Excel 103HT brochure at the end of this section for chimney sizing tables and recommendations on flue height.

The requirements for chimney repair vary substantially from jurisdiction to jurisdiction. We strongly recommend that you contact your local building officials to determine the requirements in your particular area before attempting any chimney repairs. Some municipalities have specific written repair requirements; most other areas are not as specific. Two sources of information concerning the construction and inspection of masonry chimneys and fireplaces are "The Residential Fireplace and Chimney Handbook" written by the Masonry Institute of America and "Repair of Earthquake Damaged Masonry Chimneys Using New Metal Chimneys" by the City of Los Angeles Departments of Building and Safety.

Stock status may vary between AES warehouse locations. To confirm stock status, log onto the AES Partners Site or call AES Customer Service 1-800-682-9722.






Industrial Chimney Company

Residential Insulated Stack (R.I.S.) Large Diameter Chimney 10"-24"



R.I.S. Chimney Lengths - All Stainless Steel

 For stock status, please visit order.aes4home.com or call 800-682-9722

Item No.	Description	10" (430 SS)	12" (430 SS)	14" (430 SS)	16" (304 SS) LIMITED TO STOCK ON HAND	18" (304 SS)	20" (304 SS)	22" (304 SS)	24" (304 SS)
ICRC_RIL4	48" Length	\$941.00	\$980.00	\$1,120.00	\$1,127.00**	\$1,985.00	\$2,209.00	\$2,442.00*	\$2,624.00*
ICRC_RIL2	24" Length	552.00	589.00	709.00	discontinued	1,164.00	1,294.00	1,421.00*	1,522.00*
ICRC_RIL18	18" Length	474.00	506.00	603.00	discontinued	950.00	1,061.00	1,175.00*	1,242.00*
ICRC_RIL1	12" Length	360.00	383.00	454.00	discontinued	701.00	784.00	850.00*	909.00*
ICRC_RILA2	24" Adj. Length	772.00	826.00	993.00	discontinued	1,630.00	1,811.00	1,987.00*	2,133.00*
ICRC_RILA1	12" Adj. Length	504.00	535.00	637.00	discontinued	979.00	1,098.00	1,187.00*	1,272.00*
ICRE_RIT	Regular Tee	1,312.00	1,383.00	1,533.00*	discontinued	2,831.00*	3,232.00*	3,676.00*	4,126.00*
ICRE_RIE15	15° Elbow	614.00	718.00	774.00	discontinued	952.00*	1,045.00	1,171.00*	1,269.00*
ICRE_RIE30	30° Elbow	752.00	808.00	883.00	discontinued	1,087.00	1,206.00	1,348.00*	1,414.00*
ICRE_RIE45	45° Elbow	789.00	853.00	887.00	discontinued	1,188.00*	1,353.00	1,471.00*	-
ICRE_RITC	Regular Tee Cap	312.00	348.00*	390.00*	discontinued	491.00*	664.00*	745.00*	829.00*
ICRM_RSLB	Locking Band	77.00	85.00	92.00	79.00**	112.00*	125.00*	131.00*	144.00*

R.I.S. Chimney Lengths - All Stainless Steel

Item No.	Description	-	-	-	16" (430 SS) NEW!	-	-	-	-
ICRC16RIL4-430	48" Length	-	-	-	\$1,181.00	-	-	-	-
ICRC16RIL2-430	24" Length	-	-	-	740.00	-	-	-	-
ICRC16RIL18-430	18" Length	-	-	-	626.00	-	-	-	-
ICRC16RIL1-430	12" Length	-	-	-	473.00	-	-	-	-
ICRC16RILA2-430	24" Adj. Length	-	-	-	1,033.00	-	-	-	-
ICRC16RILA1-430	12" Adj. Length	-	-	-	662.00	-	-	-	-
ICRE16RIT-430	Regular Tee	-	-	-	1,708.00	-	-	-	-
ICRE16RIE15-430	15° Elbow	-	-	-	791.00	-	-	-	-
ICRE16RIE30-430	30° Elbow	-	-	-	908.00	-	-	-	-
ICRE16RIE45-430	45° Elbow	-	-	-	971.00	-	-	-	-
ICRE16RITC-430	Regular Tee Cap	-	-	-	437.00	-	-	-	-
ICRM16RSLB-430	Locking Band	-	-	-	102.00	-	-	-	-

Galvalume Items with Stainless Steel Lining

Item No.	Description	10"	12"	14"	16" (Galv) LIMITED TO STOCK ON HAND	18"	20"	22"	24"
ICRC_RIL4G	48" Length	-	-	-	discontinued	\$1,556.00	\$1,735.00	\$1,924.00*	\$2,060.00*
ICRC_RIL2G	24" Length	-	-	-	discontinued	946.00	1,056.00*	1,164.00*	1,242.00*
ICRC_RIL18G	18" Length	-	-	-	discontinued	790.00	883.00	970.00*	1,037.00*
ICRC_RIL1G	12" Length	-	-	-	350.00**	594.00	667.00	722.00*	768.00*
ICRC_RILA2G	24" Adj. Length	-	-	-	discontinued	1,324.00	1,481.00	1,630.00*	1,737.00*
ICRC_RILA1G	12" Adj. Length	-	-	-	discontinued	834.00	933.00	1,009.00*	1,074.00*
ICRE_RITG	Regular Tee	-	-	-	discontinued	2,308.00*	2,604.00*	2,932.00*	3,264.00*
ICRE_RIE15G	15° Elbow	-	-	-	discontinued	856.00	942.00	1,058.00*	1,141.00*
ICRE_RIE30G	30° Elbow	-	-	-	discontinued	979.00	1,087.00*	1,215.00*	1,272.00*
ICRE_RIE45G	45° Elbow	-	-	-	discontinued	1,068.00	1,218.00	1,326.00*	-
ICRM_RGLB	Locking Band	56.00*	56.00*	58.00*	discontinued	75.00*	83.00*	90.00*	97.00*
ICRM_RBSG	Base Support	429.00*	417.00*	425.00*	481.00*	545.00*	617.00*	691.00*	767.00*
ICRM_RWSG	Wall Support	-	-	597.00*	651.00	729.00*	794.00	875.00*	944.00*
ICRM_RWBG	Wall Band	131.00*	156.00*	196.00*	218.00	248.00*	404.00*	417.00*	425.00*



Industrial Chimney Company

Residential Insulated Stack (R.I.S.) Large Diameter Chimney 10"-24"



Supports



For stock status, please visit order.aes4home.com or call 800-682-9722

Item No.	Description	10"	12"	14"	16"	18"	20"	22"	24"
ICRM__RBS	Base Support	\$1,062.00*	\$1,021.00*	\$1,041.00*	\$1,198.00*	\$1,368.00*	\$1,558.00*	\$1,749.00	\$1,956.00*
ICRM__RSR	Roof Support	258.00	412.00	556.00	614.00	691.00	794.00	856.00	925.00*
ICRM__RWS	Wall Support	242.00	275.00	925.00*	994.00*	1,444.00*	1,549.00*	1,803.00*	2,022.00*
ICRM__RAP	Anchor Plate	350.00	412.00	429.00	447.00	452.00	525.00	570.00	624.00*
ICRM__RAPD	Anchor Plate w/Damper	1,116.00	1,196.00	1,306.00	1,476.00	1,697.00*	2,105.00*	2,286.00*	2,586.00*
ICRM__ROS	Offset Support	223.00	398.00	560.00	624.00	706.00*	881.00*	956.00*	1,037.00*
ICRM__RWB	Wall Band	281.00	294.00	314.00	343.00	375.00*	398.00*	444.00	481.00*
ICRM__RGB	Guy Band	131.00	156.00	196.00	206.00	240.00	371.00*	383.00*	390.00*
ICRM__RRB	Roof Brace	395.00	410.00	454.00	496.00	533.00	664.00	675.00*	685.00*
ICRM__RRS	Radiation Shield	220.00	235.00	254.00	269.00	296.00	323.00*	356.00	383.00*
ICRM__RTS	Roof Top Radiation Shield	183.00	223.00	-	-	-	-	-	-
ICRM__RFS	Firestop	102.00	125.00	146.00	183.00	206.00	296.00	316.00	343.00*
Caps and Accessories									
ICRM__RRC	Rain Cap	\$483.00	\$506.00	\$610.00	\$702.00	\$808.00	\$993.00*	\$1,083.00	\$1,137.00
ICRM__RRCB	Rain Cap Base	242.00	252.00	306.00	350.00	404.00	498.00	545.00	570.00
ICRM__RRCFS	Rain Cap Firescreen	77.00	85.00	104.00	119.00	139.00	164.00*	191.00*	225.00*
ICRM__RRCSS	Rain Cap w/screen	560.00	589.00	712.00	821.00	949.00	1,156.00	1,272.00*	1,360.00*
ICRM__RDRC	Deluxe Rain Cap	602.00	641.00	-	-	-	-	-	-
ICRM__REX	Flue Extension	206.00	225.00	260.00	294.00*	331.00*	377.00*	425.00*	474.00*
Flashings With Storm Collars									
ICRF__RF	Flat Flashing	\$323.00	\$348.00	\$398.00	\$420.00	\$506.00	\$644.00	\$668.00	\$679.00*
ICRF__RFA	1-7/12 Flashing	373.00	402.00	456.00	481.00	583.00*	740.00	767.00	779.00*
ICRF__RFB	8-12/12 Flashing	437.00	471.00	535.00	567.00	683.00	868.00	902.00	917.00*
ICRF__RMFA	1/2-7/12 Flashing	439.00	501.00	-	-	-	-	-	-
ICRF__RMFB	8/12-12/12 Flashing	486.00*	560.00*	-	-	-	-	-	-
ICRF__RMFC	12/12-21/12 Flashing	545.00*	637.00*	-	-	-	-	-	-
ICRF__RVF	Vented Flat Flashing	415.00	479.00	-	-	-	-	-	-
ICRF__RVFA	1/12-7/12 Flashing	464.00	531.00	-	-	-	-	-	-
ICRF__RVFB	8/12-12/12 Flashing	528.00	606.00	-	-	-	-	-	-
ICRM__RSC	Storm Collar	77.00	85.00	104.00	125.00	139.00	166.00	198.00	233.00*
ICRM__RSCSS	S/S Storm Collar	119.00	131.00	186.00	208.00	240.00	287.00	309.00	356.00*



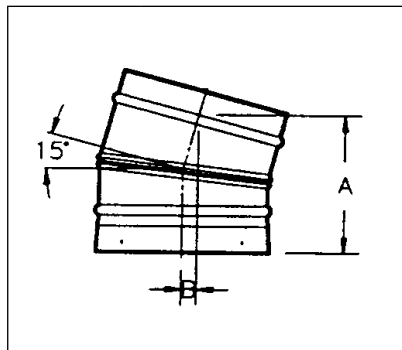
Industrial Chimney Company

Residential Insulated Stack (R.I.S.)

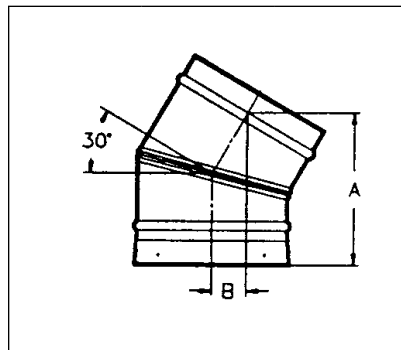


Diameter	10"	12"	14"	16"	18"	20"	22"	24"	
R.I.S. Vertical Capacity Table									
Anchor Plate	120'	102'	89'	78'	70'	64'	58'	53'	
Floor Support	120'	102'	89'	78'	70'	64'	58'	53'	
Wall Support	97'	82'	72'	63'	57'	51'	47'	43'	
Offset Support	40'	35'	30'	25'	20'	20'	20'	20'	
Roof Support	40'	35'	30'	25'	20'	20'	20'	20'	
Insulated Tee	53'	45'	39'	35'	31'	28'	26'	23'	
Chimney Length	120'	102'	89'	78'	70'	64'	58'	53'	
R.I.S. Minimum Rough Opening Dimensions									
Combustible Wall, Floor, or Roof	Hole Size (in)	16	18	20	22	24	26	28	30
Non-Combustible Wall, Floor, or Roof		13	15	17	19	21	23	25	27
R.I.S. Chimney Dimensions									
Approx Lbs./Ft.	6	7	8	9	13	14	16	17	
Outer Diameter	12-1/4"	14-1/4"	16-1/4"	18-1/4"	20-1/4"	22-1/4"	24-1/4"	26-1/4"	

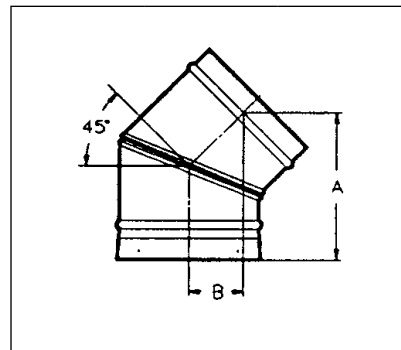
R.I.S. Nominal to Installed Flue Length					
Nominal Length	48"	24"	24" adj.	12"	12" adj.
Installed Length	46-1/4"	22-1/4"	13-1/2" to 22-1/4"	10-1/4"	7-1/2" to 10-1/4"



R.I.S. 15° Elbow Dimensions		
I.D.	A	B
10"	6-7/8"	3/4"
12"	7-3/8"	7/8"
14"	7-7/8"	7/8"
16"	8-3/8"	1"
18"	8-7/8"	1"
20"	9-3/8"	1-1/8"
22"	9-7/8"	1-1/8"
24"	10-3/8"	1-1/4"



R.I.S. 30° Elbow Dimensions		
I.D.	A	B
10"	8-1/2"	1-7/8"
12"	9"	2"
14"	9-1/2"	2-1/8"
16"	10"	2-1/4"
18"	10-1/2"	2-1/2"
20"	11"	2-5/8"
22"	11-1/2"	2-3/4"
24"	12"	2-7/8"



R.I.S. 45° Elbow Dimensions		
I.D.	A	B
10"	9-3/8"	1-7/8"
12"	10"	2"
14"	10-3/4"	2-1/8"
16"	11-1/2"	2-1/4"
18"	12-1/4"	2-1/2"
20"	12-7/8"	2-5/8"
22"	13-1/2"	2-3/4"
24"	14-1/4"	2-7/8"



Industrial Chimney Company

Residential Insulated Stack (R.I.S.) Large Diameter Chimney



RIS Offset Table 10" to 16"
All measurements are in inches.

Diameter	Length Between Elbows	2 X 15°		2 X 30°		2 X 45°	
		Offset Rise		Offset Rise		Offset Rise	
10"	No Length	1.57	11.89	3.77	14.09	6.58	15.88
	12" Length	4.35	22.28	9.15	23.40	14.18	23.48
	24" Length	7.45	33.87	15.15	33.79	22.66	31.96
	48" Length	13.67	57.05	27.15	54.58	39.63	48.93
	48" + 12"	16.45	67.43	32.52	63.88	47.23	56.53
	48" + 24"	19.55	79.03	38.52	74.28	55.72	65.02
	48" + 24" + 12"	22.34	89.41	43.90	83.59	63.32	72.62
	48" + 48"	25.77	102.21	50.52	95.06	72.69	81.99
12"	No Length	1.57	11.89	4.02	15.02	7.11	17.16
	12" Length	4.35	22.28	9.40	24.33	14.71	24.76
	24" Length	7.45	33.87	15.40	34.72	23.19	33.24
	48" Length	13.67	57.05	27.40	55.51	40.16	50.21
	48" + 12"	16.45	67.43	32.77	64.82	47.77	57.82
	48" + 24"	19.55	79.03	38.77	75.21	56.25	66.30
	48" + 24" + 12"	22.34	89.41	44.15	84.52	63.85	73.90
	48" + 48"	25.77	102.21	50.77	95.99	73.22	83.27
14"	No Length	1.70	12.88	4.27	15.95	7.81	18.86
	12" Length	4.48	23.26	9.65	25.26	15.41	26.46
	24" Length	7.58	34.85	15.65	35.66	23.90	34.95
	48" Length	13.80	58.03	27.65	56.44	40.87	51.92
	48" + 12"	16.58	68.42	33.02	65.75	48.47	59.52
	48" + 24"	19.68	80.01	39.02	76.14	56.96	68.01
	48" + 24" + 12"	22.47	90.39	44.40	85.45	64.56	75.61
	48" + 48"	25.89	103.19	51.02	96.93	73.93	84.98



Industrial Chimney Company

Residential Insulated Stack (R.I.S.) Large Diameter Chimney



RIS Offset Table 18" to 24"

All measurements are in inches.

Diameter	Length Between Elbows	2 X 15° Offset Rise		2 X 30° Offset Rise		2 X 45° Offset Rise	
18"	No Length	1.82	13.86	4.77	17.82	8.87	21.42
	12" Length	4.61	24.24	10.15	27.13	16.48	29.03
	24" Length	7.71	35.83	16.15	37.52	24.96	37.51
	48" Length	13.92	59.02	28.15	58.31	41.93	54.48
	48" + 12"	16.71	69.40	33.52	67.62	49.53	62.08
	48" + 24"	19.81	80.99	39.52	78.01	58.02	70.57
	48" + 24" + 12"	22.59	91.38	44.90	87.32	65.62	78.17
	48" + 48"	26.02	104.17	51.52	98.79	74.99	87.54
20"	No Length	1.82	13.86	5.15	19.22	9.58	23.13
	12" Length	4.61	24.24	10.52	28.53	17.18	30.73
	24" Length	7.71	35.83	16.52	38.92	25.67	39.22
	48" Length	13.92	59.02	28.52	59.71	42.64	56.19
	48" + 12"	16.71	69.40	33.90	69.02	50.27	63.79
	48" + 24"	19.81	80.99	39.90	79.41	58.73	72.28
	48" + 24" + 12"	22.59	91.38	45.27	88.72	66.33	79.88
	48" + 48"	26.02	104.17	51.90	100.19	75.70	89.25
22"	No Length	1.95	14.84	5.40	20.15	9.93	23.98
	12" Length	4.74	25.23	10.77	29.46	17.54	31.59
	24" Length	7.84	36.82	16.77	39.86	26.02	40.07
	48" Length	14.05	60.00	26.77	60.64	42.99	57.04
	48" + 12"	16.84	70.38	34.15	69.95	50.99	64.64
	48" + 24"	19.94	81.97	40.15	80.34	59.08	73.13
	48" + 24" + 12"	22.72	92.36	45.52	89.65	66.68	80.73
	48" + 48"	26.15	105.16	52.15	101.13	76.05	90.10
24"	No Length	1.95	14.84	5.65	21.09	10.64	25.69
	12" Length	4.74	25.23	11.02	30.40	18.24	33.29
	24" Length	7.84	36.82	17.02	40.79	26.73	41.78
	48" Length	14.05	60.00	29.02	61.57	43.70	58.75
	48" + 12"	16.84	70.38	34.40	70.88	51.30	66.35
	48" + 24"	19.94	81.97	40.40	81.27	59.79	74.84
	48" + 24" + 12"	22.72	92.36	45.77	90.58	67.39	82.44
	48" + 48"	26.15	105.16	52.40	102.00	76.76	91.81



Industrial Chimney Company

Ultrablack FS Double Wall Black Stovepipe

Ultrablack FS (fully shielded) double wall black stovepipe requires just 6" clearance to combustible materials in all diameters-even when installed in a corner or parallel with a ceiling (Check manufacturer's clearance requirements).

Ultrablack has a smooth, clean appearance to complement any stove installation and maximize flue gas temperatures, insuring good draft when used with catalytic stoves. It's constructed of type 304 Ultra matte stainless steel, a specially designed stainless steel that is more attractive and scratch resistant when painted. Ultrablack is painted with Forrest Paint "Stove Bright" Flat Black (FP6304) premium quality high temperature stove paint. Parts are shipped wrapped in heavy paper or plastic to insure an attractive, scratch free finish.

Ultrablack assembles like a regular single wall stove pipe without complicated, unsightly twist lock connectors or spot welds, and no cutting required for installation. It easily fits most stoves, including cast iron stoves and those with oval collars and comes complete with black oxide screws and pre-drilled holes to insure safe, easy installation.

7" ULTRABLACK CHIMNEY IS NON-STOCK WITH EXTENDED LEAD TIMES

CHECK INVENTORY AT ORDER.AES4HOME.COM

Ultrablack Chimney Lengths



For stock status, please visit order.aes4home.com or call 800-682-9722

Item No.	Description	6"		7" NON-STOCK EXTENDED LEAD TIMES		8"	
		Wt.	Retail	Wt.	Retail	Wt.	Retail
ICUC__UBAF	Adjustable Length, 40" to 68" w/Trim Collar	18 lbs.	\$458.00†	18 lbs.	\$528.00*	18 lbs.	\$574.00†
ICUC__UB3F	36" Length	9 lbs.	259.00†	9 lbs.	275.00*	9 lbs.	303.00†
ICUC__UB2F	24" Length	10 lbs.	197.00	10 lbs.	237.00*	10 lbs.	262.00
ICUC__UB18F	18" Length	4 lbs.	178.00	4 lbs.	212.00*	4 lbs.	250.00
ICUC__UB1F	12" Length	3 lbs.	161.00	3 lbs.	191.00*	3 lbs.	233.00
ICUC__UB5F	5" Length	2 lbs.	93.00	2 lbs.	111.00*	2 lbs.	121.00
ICUC__UB6SF	6" Slip Section	2 lbs.	121.00	2 lbs.	140.00*	2 lbs.	168.00
ICUC__UB1SF	12" Slip Section	3 lbs.	173.00	3 lbs.	204.00*	3 lbs.	246.00

Tees and Elbows

ICUE__UBT	Tee with Plug and Trim Collar	5 lbs.	\$252.00	5 lbs.	\$260.00*	5 lbs.	\$308.00
ICUE__UB30	30° Elbow	3 lbs.	140.00	3 lbs.	155.00*	3 lbs.	180.00
ICUE__UB45	45° Elbow	4 lbs.	140.00	4 lbs.	157.00*	4 lbs.	191.00
ICUE__UB90	90° Elbow	4 lbs.	197.00	4 lbs.	222.00*	4 lbs.	264.00
ICUE6UB15	15° Elbow	4 lbs.	138.00	-	-	-	-

Adapters

ICUM__UBM	Masonry Adapter	4 lbs.	\$142.00	4 lbs.	\$155.00	4 lbs.	\$159.00
ICUM__UBMA	Masonry Thimble Adapter	-	140.00	-	-	-	-
ICUM__UBSE	Stove Adapter	1 lb.	44.00	1 lb.	47.00*	1 lb.	51.00
ICUM__UBD	Damper Section	1 lb.	195.00	1 lb.	222.00*	1 lb.	250.00
ICUM__UBTC	Trim Collar, Covers Crimped Edge	1 lb.	33.00	1 lb.	37.00*	1 lb.	42.00
ICUMUBI56	Increaser 5" - 6"	2 lbs.	195.00	-	-	-	-
ICUMUBI67	Increaser 6" - 7"	2 lbs.	195.00	-	-	-	-
ICUMUBI68	Increaser 6" - 8"	2 lbs.	195.00	-	-	-	-
ICUMUBI78	Increaser 7" - 8"	-	-	2 lbs.	195.00*	-	-
ICUMUBR87	Reducer 8" - 7"	-	-	-	-	2 lbs.	195.00
ICUMUBR86	Reducer 8" - 6"	-	-	-	-	2 lbs.	195.00
ICUMUBR76	Reducer 7" - 6"	-	-	2 lbs.	195.00*	-	-
ICUM86UBORF	8" - 6" Oval to Round Adapter PROD. SUSPENDED	-	-	-	-	4.5 lbs.	219.00
ICUM8UBORF	Oval to Round Adapter	-	-	-	-	-	214.00
ICUMLBS	Long Black Screws (100)	-	56.00	-	-	-	-
ICUMSBS	Short Black Screws (100)	-	35.00	-	-	-	-
ICUM__UBTR	Adjustable 6" Conical Trim Ring	.25 lbs.	31.00	-	-	-	39.00



Excel Prime

24-Gauge Matte Black Stove Pipe

24 gauge heavy steel construction – Extra resistant to damage & long lasting use.

Laser Butt welded seams – Creates perfectly round lengths, making installation incredibly fast and easy.

Made of Satin Coat Steel – Designed to be painted for maximum paint adhesion, minimal scratches and excellent corrosion resistance.

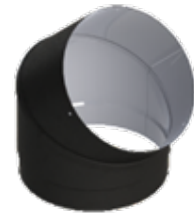
New Smoke-Free Stove Bright Flat Black paint – No more smoke at start up & easy touchups.

Universal design - Fits any brand of Class A chimney and fits almost all stoves without an adapter.

5 year, No questions asked, 100% full replacement warranty.



6" Lengths				
Item No.	Description	Pkg.	Retail	Stocked
ICSC6SW1	6" x 12" Straight Length		\$66.00	Y
ICSC6SW18	6" x 18" Straight Length		74.00	Y
ICSC6SW1S	6" x 12" Slip Length		66.00	Y
ICSC6SW2	6" x 24" Straight Length		87.00	Y
ICSC6SW3	6" x 36" Straight Length		119.00	Y
ICSC6SW4	6" x 48" Straight Length		154.00	Y
ICSC6SWA	6" x 40" - 68" Adjustable Length		232.00	Y
ICSC6SW6S	6" x 6" Slip Length		64.00	Y
6" Tees				
ICSE6SWT	6" Tee w/Out Cap		\$91.00	Y
ICSE6SWTP	6" Tee Cap		59.00	Y
6" Elbows				
ICSE6SW45	6" x 45° Elbow		\$74.00	Y
ICSE6SWA90	6" x 90° Adjustable Elbow		157.00	Y
ICSE6SW90	6" x 90° Elbow		87.00	Y
ICSE6SW90C	6" x 90° Clean Out Elbow		172.00	Y
ICSE6SW90S	6" x 90° Slip Elbow		152.00	Y
6" Heat Shields				
ICSM6SW1HS	6" x 12" Heat Shield		\$59.00	Y
ICSM6SW2HS	6" x 24" Heat Shield		72.00	Y
ICSM6SW3HS	6" x 36" Heat Shield		87.00	Y
ICSM6SW45HS	6" x 45° Heat Shield		72.00	Y
ICSM6SW90HS	6" x 90° Heat Shield		87.00	Y
ICSM6SWHSS	6" Heat Shield Spacers	6	42.00	Y



45° Elbow



90° Elbow

7" PRIME CHIMNEY IS NON-STOCK - MADE TO ORDER

7" Lengths				
Item No.	Description	Pkg.	Retail	Stocked
ICSC7SW1	7" x 12" Straight Length - MADE TO ORDER		\$69.00	N
ICSC7SW18	7" x 18" Straight Length - MADE TO ORDER		81.00	N
ICSC7SW1S	7" x 12" Slip Length - MADE TO ORDER		69.00	N
ICSC7SW2	7" x 24" Straight Length - MADE TO ORDER		94.00	N
ICSC7SW3	7" x 36" Straight Length - MADE TO ORDER		127.00	N
ICSC7SW4	7" x 48" Straight Length - MADE TO ORDER		169.00	N
ICSC7SWA	7" x 40" - 68" Adjustable Length - MADE TO ORDER		262.00	N
ICSC7SW6S	7" x 6" Slip Length - MADE TO ORDER		66.00	N
7" Tees				
ICSE7SWT	7" Tee w/Out Cap - MADE TO ORDER		\$101.00	N
ICSE7SWTP	7" Tee Cap - MADE TO ORDER		72.00	N

7" continued on next page...



Tee Cap

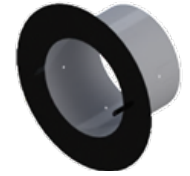


Serving you with Five Distribution Centers - Seattle, WA - Sacramento, CA - Denver, CO - Minneapolis, MN - Dallas, TX

Excel Prime

24-Gauge Matte Black Stove Pipe

7" PRIME CHIMNEY IS NON-STOCK - MADE TO ORDER



Masonry Adapter



Tee



Slip Connector

7" Elbows				
Item No.	Description	Pkg.	Retail	Stocked
ICSE7SW45	7" x 45° Elbow - MADE TO ORDER		\$76.00	N
ICSE7SWA90	7" x 90° Adjustable Elbow - LIMITED TO STOCK ON HAND		167.00	LTSD
ICSE7SW90	7" x 90° Elbow - MADE TO ORDER		91.00	N
ICSE7SW90C	7" x 90° Clean Out Elbow - MADE TO ORDER		187.00	N
ICSE7SW90S	7" x 90° Slip Elbow - MADE TO ORDER		159.00	N
Heat Shields				
ICSM7SW45HS	7" x 45° Heat Shield - MADE TO ORDER		\$72.00	N
ICSM7SW90HS	7" x 90° Heat Shield - MADE TO ORDER		87.00	N

8" Lengths				
Item No.	Description	Pkg.	Retail	Stocked
ICSC8SW1	8" x 12" Straight Length		\$72.00	Y
ICSC8SW18	8" x 18" Straight Length		84.00	Y
ICSC8SW1S	8" x 12" Slip Length		72.00	Y
ICSC8SW2	8" x 24" Straight Length		101.00	Y
ICSC8SW3	8" x 36" Straight Length		137.00	Y
ICSC8SW4	8" x 48" Straight Length		184.00	Y
ICSC8SWA	8" x 40" - 68" Adjustable Length		290.00	Y
ICSC8SW6S	8" x 6" Slip Length		69.00	Y
8" Tees				
ICSE8SWT	8" Tee w/Out Cap		\$106.00	Y
ICSE8SWTP	8" Tee Cap		84.00	Y
8" Elbows				
ICSE8SW45	8" x 45° Elbow		\$81.00	Y
ICSE8SWA90	8" x 90° Adjustable Elbow LIMITED TO STOCK ON HAND		133.00	LTSD
ICSE8SW90	8" x 90° Elbow		99.00	Y
ICSE8SW90C	8" x 90° Clean Out Elbow		199.00	N
ICSE8SW90S	8" x 90° Degree Slip Elbow		169.00	N
Heat Shields				
ICSM8SW1HS	8" x 12" Heat Shield		\$72.00	Y
ICSM8SW2HS	8" x 24" Heat Shield		87.00	N
ICSM8SW3HS	8" x 36" Heat Shield		101.00	N
ICSM8SW45HS	8" x 45° Heat Shield		72.00	Y
ICSM8SW90HS	8" x 90° Heat Shield		87.00	Y
ICSM8SWHSS	8" Heat Shield Spacers	6	42.00	N

Adapters				
Item No.	Description	Pkg.	Retail	Stocked
ICSM5WSI67	6" - 7" Increaser		\$93.00	Y
ICSM5WSR76	7" - 6" Reducer		93.00	Y
ICSM5WSI68	6" - 8" Increaser		93.00	Y
ICSM6SWM	Masonry Adapter		134.00	Y
ICSM5WSR86	8" - 6" Reducer		93.00	Y
ICSM5WSR87	8" - 7" Reducer		93.00	N
ICUM6UBTR	Adjustable 6" Conical Trim Ring		31.00	N
ICUM8UBTR	Adjustable 8" Conical Trim Ring		39.00	N



Industrial Chimney Company

EXCEL Pellet Vent



EXCEL Pellet is manufactured using specialized machinery which makes it possible to maintain strict tolerance between components. This ensures a quality fit and allows the factory to apply a silicone gasket. Both of which help reduce installation problems and installation time. ICC EXCEL Pellet is tested and listed to U.L. Standard 641 and designed for venting pellet stoves, pellet inserts and pellet heaters.

ICC EXCEL Pellet features

- Continuously welded seams leave a sleek, attractive exterior as well as ensuring a tight, leak-free fit between components.
- ICC created specialized machinery to create leak-free elbows, they don't cut corners by using their B-Vent machine.
- The factory installed and tested 100% Silicone gasket eases installation by eliminating the need to tape or silicone the joints on site, this also preserves the clean look of the system.
- Excellent Pellet to Masonry and Pellet to Class A Chimney adapters give you and your installers an alternative to BCADV.
- Each piece is pressure-tested by hand at the factory before it is shipped out, decreasing call-backs from customers with leaky venting.





Industrial Chimney Company

3" & 4" EXCEL Pellet Vent



Lengths



For stock status, please visit order.aes4home.com or call 800-682-9722

Item No.	Description	3"		4"	
		Wt./Cs.	Retail	Wt./Cs.	Retail
ICPC__PL1	12" Length	2 lbs.	\$73.00	2 lbs.	\$86.00
ICPC__PL16	16" Length	3 lbs.	90.00	3 lbs.	113.00
ICPC__PL2	24" Length	3 lbs.	106.00	4 lbs.	132.00
ICPC__PL3	36" Length	4 lbs.	137.00	6 lbs.	170.00
ICPC__PL4	48" Length	6 lbs.	170.00	8 lbs.	195.00
ICPC__PL5	5" Length	1 lb.	62.00	2 lbs.	69.00
ICPC__PCOL	12" Clean Out Length	2 lbs.	148.00	2 lbs.	161.00
ICPC__PLA6	8" Adjustable Length (1 3/4" - 6" Installed)	2 lbs.	88.00	2 lbs.	108.00
ICPC__PLA16	16" Adjustable Length (1 3/4" - 14" Installed)	3 lbs.	130.00	4 lbs.	157.00

Tees and Elbows

Item No.	Description	3"		4"	
		Wt./Cs.	Retail	Wt./Cs.	Retail
ICPE__PE45	45 Degree Elbow	1 lb.	\$117.00	1 lb.	\$132.00
ICPE__PE90	90 Degree Elbow	2 lbs.	146.00	2 lbs.	185.00
ICPE__PCOE	90 Degree Clean Out Elbow	2 lbs.	269.00	2 lbs.	281.00
ICPE__PT	Tee w/Cap	2 lbs.	221.00	3 lbs.	274.00
ICPE__PCOT	Clean Out tee w/Cap	2 lbs.	394.00	3 lbs.	423.00
ICPE3PT4	Tee w/Cap & 3" Mouth	-	-	3 lbs.	248.00
ICPE3PE90S	Slip Elbow	-	208.00	-	-
ICPE__PTC1	Tee Cap w/Bolt	-	56.00	-	71.00

Accessories

Item No.	Description	3"		4"	
		Wt./Cs.	Retail	Wt./Cs.	Retail
ICPF__PF	Flat Flashing with Storm Collar	2 lbs.	\$62.00	2 lbs.	\$75.00
ICPM__PCA	Type A Adapter Cap	-	159.00	-	159.00
ICXMEVT	Vinyl Siding Trim	1.5 lbs.	27.00	-	-
ICPM__PAF5	Flex Adapter - Connect 3" or 4" EXCELPellet to a 5" Flex Liner	-	117.00	-	121.00
ICPM__PAF55	Flex Adapter - Connect 3" or 4" EXCELPellet to a 5.5" Flex Liner	-	121.00	-	126.00
ICPM__PAF6	Flex Adapter - Connect 3" or 4" EXCELPellet to a 6" Flex Liner	-	128.00	-	132.00
ICPF3MFB	3" Metal Roof Flashing Adapter 8/12-12/12	-	47.00	-	-
ICPM__PAX6	6" Type A Chimney Reline Adapter - 3" or 4"	-	146.00	-	157.00
ICPM__PAX7	7" Type A Chimney Reline Adapter - 3" or 4"	-	157.00	-	172.00
ICPM__PAX8	8" Type A Chimney Reline Adapter - 3" or 4"	-	179.00	-	185.00



Industrial Chimney Company

3" & 4" EXCEL Black Pellet Vent



Lengths - Black



For stock status, please visit order.aes4home.com or call 800-682-9722

Item No.	Description	3"		4"	
		Wt./Cs.	Retail	Wt./Cs.	Retail
ICPC__PL1B	12" Length - Black	-	\$92.00	-	\$106.00
ICPC__PL2B	24" Length - Black	-	130.00	-	168.00
ICPC__PL3B	36" Length - Black	-	157.00	-	195.00
ICPC__PL4B	48" Length - Black	-	191.00	-	235.00
ICPC__PL5B	5" Length - Black	-	79.00	-	88.00
ICPC__PL16B	16" Length Black	3 lbs.	113.00	3 lbs.	137.00
ICPC__PLA16B	16" Slip Length - Black	-	164.00	-	195.00
ICPC__PLA6B	8" Slip Length - Black	-	113.00	-	139.00

Tees and Elbows - Black

Item No.	Description	3"		4"	
		Wt./Cs.	Retail	Wt./Cs.	Retail
ICPE__PE45B	45 Degree Elbow - Black	-	\$130.00	-	\$146.00
ICPE__PE90B	90 Degree Elbow - Black	-	161.00	-	204.00
ICPE__PE90SB	Slip Elbow - Black	-	246.00	-	301.00
ICPE3PT4B	3-4 Increaser Tee w/Cap - Black	-	299.00	-	-
ICPE__PTB	Tee w/Cap - Black	-	248.00	-	301.00
ICPE__PTC1	Tee Cap	-	56.00	-	71.00

Accessories- Black

ICPF4MFA	Metal Roof Flashing Adapter 1/12 - 7/12	-	-	-	\$44.00
ICPF__MFB	Pellet AND Gas Metal Roof Flashing Adapter 8/12 - 12/12	3 lbs.	47.00	3 lbs.	49.00
ICPM__PASB	Stove Adapter - Black	-	62.00	-	73.00*
ICPM3PAT4B	3-4" Stove Adapter Tee - Black	-	305.00	-	-
ICPM3PIT4B	3-4" Tapered Stove Adapter - Black	-	170.00	-	-
ICPM__PWTOC	Wall Thimble w/Outside Air Channel	-	864.00	-	864.00
ICPMPSSS	Zinc Screws for Pellet (100 ea)	-	22.00	-	-



AES



Order Online at:
order.aes4home.com

Serving you with Five Distribution Centers - Seattle, WA - Sacramento, CA - Denver, CO - Minneapolis, MN - Dallas, TX



Accessories



For stock status, please visit order.aes4home.com or call 800-682-9722

Item No.	Description	3"		4"	
		Wt./Cs.	Retail	Wt./Cs.	Retail
ICPF__PFA	1/12-7/12 Flashing w/Storm Collar	3 lbs.	\$75.00	3 lbs.	\$79.00
ICPF__PFB	8/12-12/12 Flashing w/Storm Collar	3 lbs.	79.00	3 lbs.	87.00
ICPM3PAA5	5" Type A Chimney Adapter	-	164.00	-	-
ICPM__PAA6	6" Class A Chimney Adapter	1 lb.	146.00	1 lb.	157.00
ICPM__PAA7	7" Class A Chimney Adapter	1 lb.	157.00	1 lb.	172.00
ICPM__PAA8	8" Class A Chimney Adapter	1 lb.	179.00	1 lb.	185.00
ICPM__PAQ	Quick Disconnect Adapter	1 lb.	117.00	1 lb.	124.00
ICPM__PAL5	___" x 5" Liner Adapter	1 lb.	88.00	1 lb.	88.00
ICPM__PAM	Masonry Adapter	3 lbs.	177.00	1 lb.	191.00
ICPM__PAS	Stove Adapter	1 lb.	47.00	1 lb.	56.00
ICPM__PCH	Horizontal Cap	2 lbs.	115.00	2 lbs.	124.00
ICPM__PCJ	Adjustable Jet Cap	2 lbs.	121.00	2 lbs.	132.00
ICPM__PCR	Vertical Rain Cap	2 lbs.	146.00	2 lbs.	151.00
ICPM__PCE	Economy Cap	1 lb.	56.00	1 lb.	TBD
ICPM__PCS	Spark Screen	1 lb.	77.00	1 lb.	77.00
ICPM__PSA	Ceiling Support/Radiation Shield	5 lbs.	164.00	6 lbs.	186.00
ICPM__PSC	Storm Collar	1 lb.	29.00	1 lb.	33.00
ICPM__PSG	Silicone Gasket	1 lb.	N/C	1 lb.	N/C
ICPM__PSS	Square Support/Radiation Shield	8 lbs.	223.00	8 lbs.	243.00
ICPM__PWT	Adjustable Wall Thimble	5 lbs.	174.00	5 lbs.	186.00
ICPM__PWTE	Wall Thimble Extension	4 lbs.	117.00	4 lbs.	144.00*
ICPM3PWTOC	Wall Thimble with Outside Air	9 lbs.	864.00	-	-
ICPM__PWTOI	Wall Thimble Integrated	5 lbs.	371.00	6 lbs.	371.00
ICPM4PCT	4" Traditional Coaxial	-	-	3 lbs.	453.00
ICPM__PFG	Flat Gasket	1 lb.	N/C	1 lb.	N/C
ICPM3PAT3	3" Stove Adapter Tee, Galvalume	2 lbs.	216.00	-	-
ICPM3PAT3B	3" Stove Adapter Tee, Black	2 lbs.	235.00*	-	-
ICPM3PAT4	3" to 4" Stove Adapter Tee	3 lbs.	252.00	-	-
ICPM3PI4	3"-4" Tapered Stove Adapter	1 lb.	151.00	-	-
ICPM3PAF4	3" - 4" Flex Adapter	1 lb.	140.00	-	-
ICPM4PATF4	4" Flex Adapter Tee	-	-	1 lb.	148.00
ICPM3PATF4	3" - 4" Flex Adapter Tee	1 lb.	137.00	-	-
ICPM3PIT4	3" - 4" Tapered Increaser, Galvalume	1 lb.	140.00	-	-
ICPM3PIT4B	3" - 4" Tapered Increaser, Black	1 lb.	170.00*	-	-
ICPMPRCW	3" & 4" Wind/Rain Shield	1 lb.	73.00	-	-
ICPMPSW	3" & 4" Adjustable Wall Support	2 lbs.	53.00	-	-
ICPMPTMP	3" & 4" Template	1 lb.	46.00	-	-
ICPM3PASH	Harman Stove Adapter	3 lbs.	53.00	-	-
ICPM3PASH6	Harman 6" Stove Adapter	4 lbs.	77.00	-	-
ICPMHG	Harman Style Gasket - For Use w/Harman Stove Adapter	1 lb.	24.00	-	-



Industrial Chimney Company

EXCELiner Rigid Liner



EXCELiner is designed and approved to replace clay tile liners which have become cracked from age, misuse or damaged by chimney fires. EXCELiner can be used to reline masonry chimneys which have deteriorated due to chimney fires, spalled tiles, moisture damage or eroded mortar joints.

By reducing the chimney to the correct size for the appliance, EXCELiner improves draft, reduces fuel consumption and helps insure consistent operation. There is less creosote formation in a properly sized flue which decreases the probability of a chimney fire.

EXCELiner is listed to UL and ULC standards by Warnock Hersey Professional Services to be used as stainless steel liner in a new chimney, instead of a clay tile liner. Unlike clay tile liners, EXCELiner can withstand chimney fires without damage and comes with a lifetime warranty.

EXCELiner has continuous welded seams which means no leaks and no possibility of seam separation. All stainless steel components are made of type 304 stainless steel with factory hemmed ends for smooth, safe surfaces. No drilling is required. EXCELiner comes with pre-punched holes and all stainless steel rivets provided with each liner section.

To order, enter the appropriate chimney diameter size into the item number.

Chimney Lengths



For stock status, please visit order.aes4home.com or call 800-682-9722

Item No.	Description	5"	5.5"	6"	7"	8"
ICLC_LL4	48" Length	\$155.00	\$155.00*	\$155.00	\$178.00	\$206.00
ICLC_LL3	36" Length	132.00	132.00*	132.00	153.00	175.00
ICLC_LL2	24" Length	112.00	112.00*	112.00	139.00	153.00
ICLC_LL1	12" Length	65.00	65.00*	65.00	77.00	93.00
ICLC_LLA1	12" Adjustable Length	65.00*	65.00*	65.00	77.00	93.00
ICLC_LLA3	36" Adjustable Length	132.00*	132.00*	132.00	153.00	175.00

Tees and Elbows

ICLE_LT	90° Split Base Tee w/out Tee Cap	\$141.00*	\$151.00*	\$151.00	\$157.00	\$169.00
ICLE_LTA	Adjustable Snout Tee w/out Tee Cap	192.00*	201.00*	201.00	210.00	226.00
ICLE_LTC	Tee Cap	45.00*	51.00	51.00	53.00	67.00
ICLE_LE30	30° Elbow	86.00*	96.00*	96.00	102.00	118.00
ICLE_LE45	45° Elbow	100.00*	102.00*	102.00	116.00	132.00
ICLE_LE90	90° Elbow	120.00*	125.00*	125.00	141.00	159.00
ICLE_LEA90	90° Adjustable Elbow	144.00*	144.00*	144.00	159.00	183.00
ICLE_LTL	Twist Lock Tee	194.00*	199.00*	206.00*	220.00*	242.00*
ICLM6LAF5	Appliance Adapter - 6" Flue to 5" Flex	-	-	86.00	-	-
ICLM6LAF55	Appliance Adapter - 6" Flue to 5.5" Flex	-	-	86.00	-	-

Supports


ICLM_LSB	Galvanized Base Support w/Storm Collar	\$125.00*	\$125.00*	\$125.00*	\$125.00	\$125.00
ICLM_LSA	Stainless Top Support 16" x 16" w/Storm Collar	236.00*	242.00*	242.00	256.00	265.00
ICLM_LSAL	Stainless Top Support 24" x 24" w/Storm Collar	314.00*	328.00*	328.00	344.00	355.00
ICLM_LSAG	Galvanized Top Support 16" x 16" w/Storm Collar	137.00*	144.00*	144.00	153.00	167.00
ICLM_LSAGL	Galvanized Top Support 24" x 24" w/Storm Collar	236.00*	242.00*	242.00	256.00	265.00*



Industrial Chimney Company

EXCELiner Rigid Liner



Caps and Adapters						
 For stock status, please visit order.aes4home.com or call 800-682-9722						
<i>Item No.</i>	<i>Description</i>	<i>5"</i>	<i>5.5"</i>	<i>6"</i>	<i>7"</i>	<i>8"</i>
ICLM_LSASC	Storm Collar	\$47.00	-	\$51.00	\$53.00	\$63.00
ICLM_LCR	Regular Rain Cap	118.00*	128.00	128.00	132.00	141.00
ICLM_LCD	Deluxe Rain Cap	151.00*	159.00	159.00	185.00	194.00
ICLM_LAF	Flex Liner Adapter	84.00*	86.00	86.00	96.00	110.00
ICLM_LAF90	90° Adjustable Flex Adapter	187.00*	187.00	187.00	208.00	240.00
ICLM_ITH	Insulated Thimble	477.00*	-	477.00	519.00	558.00
ICMLR65	Reducer 6" - 5"	112.00*	-	-	-	-
ICMLR76	Reducer 7" - 6"	125.00*	-	-	-	-
ICMLR87	Reducer 8" - 7"	137.00*	-	-	-	-
ICMLI56	Increaser 5" - 6"	112.00*	-	-	-	-
ICMLI67	Increaser 6" - 7"	125.00*	-	-	-	-
ICMLI78	Increaser 7" - 8"	137.00*	-	-	-	-



Industrial Chimney Company

EXCEL Direct Vent



Construction/Performance

EXCEL Direct features a stainless steel flue and satin coat outer casing. Both the flue and casing are continuously laser welded insuring they are always perfectly round. The precision tapered coupling system is formed directly onto the male and female end of each tube.

This precision coupling system, combined with precision laser welded construction enables EXCEL Direct to accomplish two important performance objectives:

- The EXCEL Direct system is the most airtight, leak-free system in the industry.
- The EXCEL Direct system is the fastest and easiest system to install.

The lengths fit together effortlessly and are fastened with three small screws through pre-punched holes.

Terminations

There are three different terminations (two horizontal, one vertical), plus snorkel options. These terminations are sufficient to do any installation and cut down on SKU's. Builders and homeowners have told us they don't want to emphasize terminations, they want them to disappear. Our terminations are attractive, perform as well or better than the other guys in all wind conditions and can be painted to match the house. A slip section is integrated into every horizontal termination.

Appearance

The tapered coupling system, combined with laser welded lengths provide a clean smooth appearance to the galvalume exterior.

Laser welding, smooth couplings and the high quality Forrest Paint finish provide an unmatched appearance to our black painted components making it the ideal choice for freestanding applications.

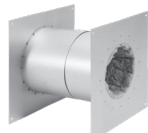
Appliance Compatibility

EXCEL Direct has been designed to fit all appliance using 4/6 and 5/7 diameter vents including those which come with DuraVent adapters factory installed.

EXCEL Direct is tested to UL 2112 Standards.



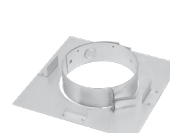
Type A Chimney Adapter



Insulated Wall Thimble



Flex Liner Connector



Ceiling Support/Firestop



Galvalume Pipe Length



Coaxial to Colinear Adapter



Black 45°/90° Elbows



Vertical Termination



Snorkel Termination



Serving you with Five Distribution Centers - Seattle, WA - Sacramento, CA - Denver, CO - Minneapolis, MN - Dallas, TX

4" EXCEL Direct
(4" I.D. - 6 1/2" O.D.)



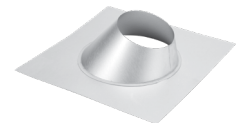
4" Galvanized Lengths and Elbows				
Item No.	Description	Wt./Cs.	Retail	Stocked
ICTC4DL6	6" Galvalume Length	2 lbs.	\$62.00	Y
ICTC4DL9	9" Galvalume Length		69.00	Y
ICTC4DL1	12" Galvalume Length	3 lbs.	79.00	Y
ICTC4DL2	24" Galvalume Length	4 lbs.	107.00	Y
ICTC4DL3	36" Galvalume Length		133.00	Y
ICTC4DL4	48" Galvalume Length	8 lbs.	155.00	Y
ICTC4DLA30	18"-30" Adjustable Length		142.00	Y
ICTC4DLS1	12" Galvalume Slip Length		79.00	Y
ICTC4DLS2	24" Galvalume Slip Length		107.00	Y
ICTE4DE30	Galvalume 30° Elbow	2 lbs.	105.00	Y
ICTE4DE45	Galvalume 45° Elbow	3 lbs.	105.00	Y
ICTE4DE90	Galvalume 90° Elbow	3 lbs.	127.00	Y
4" Black Lengths and Elbows				
ICTC4DL6B	6" Black Length	2 lbs.	\$105.00	Y
ICTC4DL1B	12" Black Length	3 lbs.	116.00	Y
ICTC4DL2B	24" Black Length	4 lbs.	151.00	Y
ICTC4DL3B	36" Black Length		185.00	Y
ICTC4DL4B	48" Black Length	9 lbs.	220.00	Y
ICTC4DLA30B	18"-30" Adjustable Black Length		213.00	Y
ICTC4DLS1B	12" Black Slip Length		116.00	Y
ICTC4DLS2B	24" Black Slip Length		151.00	Y
ICTE4DE45B	Black 45° Elbow	3 lbs.	138.00	Y
ICTE4DE90B	Black 90° Elbow	3 lbs.	161.00	Y
ICTE4DE90S	90° Slip Elbow		174.00	Y
ICTE4DE90SB	Black 90° Slip Elbow		233.00	Y
4" Supports and Firestops				
ICTM4SS	Square Support/Radiation Shield	13 lbs.	\$260.00	Y
ICTM4RDS	Round Support/Radiation Shield	8 lbs.	215.00	Y
ICTM4CS	Ceiling Support/Firestop	2 lbs.	71.00	Y
ICTM4WT	Insulated Wall Thimble (Can be Used in 2x4 Wall)	6 lbs.	145.00	Y
ICTM4AS	Attic Radiation Shield/Firestop	7 lbs.	187.00	Y
ICTM4HTK	Horizontal Termination Kit		923.00	Y
ICTM4TP	4 DV Trim Plate Black		38.00	Y
ICTM4WTE	4 DV Wall Thimble Extension		138.00	Y
ICTMWS	4" & 5" Adjustable Wall Support	2 lbs.	51.00	Y
ICTMOS	4" & 5" Offset Support	1 lb.	40.00	Y
ICTM4TR	Black Round Trim Ring	4 lbs.	47.00	Y



Deluxe Horizontal Termination



Trim Ring



Adjustable Flashing



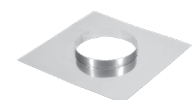
Square Support/Radiation Shield



Offset Support



Galvalume 45°/90° Elbows



Masonry Chimney Flashing



Industrial Chimney Company

4" EXCEL Direct - (4" I.D. - 6 1/2" O.D.)



4" Caps, Flashings and Adapters

Item No.	Description	Wt./Cs.	Retail	Stocked
ICTM4OR	O Ring		\$12.00	N
ICPM4PCT	4" Traditional Coaxial Chimney Cap		453.00	N
ICTMCT3	DV Traditional Co-Linear Chimney Cap - 3 x 3 - Traditional Caps Require a Flashing (ICTFCTF or ICTFCTFC, shown on this page)		388.00	Y
ICTMCT4	DV Traditional Co-Linear Chimney Cap - 4 x 3 - Traditional Caps Require a Flashing (ICTFCTF or ICTFCTFC, shown on this page)	8 lbs.	388.00	Y
ICTM4SVT	Small Vertical Termination - Stainless Steel		239.00	Y
ICTM4HT	Horizontal Termination w/5" Adj.	8 lbs.	343.00	Y
ICTM4RHT	4" Round Horizontal Termination Cap		418.00	Y
ICTM4DHT	Deluxe Horizontal Termination w/5" Adj.	9 lbs.	418.00	LTSD
ICTM4ST14	14" Snorkel Termination	18 lbs.	1,139.00	Y
ICTM4SVTS	Rain/Wind Shield for SVT		116.00	Y
ICTM4ST36	36" Snorkel Termination	25 lbs.	1,314.00	Y
ICTMIVT	4" & 5" Insert Vertical Termination (ICTF4MF required)	5 lbs.	364.00	Y
ICTMIVTP	Prefab Chimney Top Adapter		107.00	Y
ICTF4F	Flat Flashing	3 lbs.	138.00	Y
ICTF4FA	Adjustable Flashing 1/12 - 6/12	3 lbs.	110.00	Y
ICTF4FB	Adjustable Flashing 7/12 - 12/12	4 lbs.	164.00	Y
ICTFCTF	Universal Flashing - Rectangular Opening		60.00	Y
ICTFMFR	Universal Flashing - Round Opening		60.00	Y
ICTFCTFC	Clay Tile Flashing - Rectangular Opening		84.00	Y
ICTFMFC	Clay Tile Flashing - Round Opening		84.00	Y
ICTMHC	Hose Clamp Bracket - Use w/Clay Tile Flashing		60.00	Y
ICTF4MF	Masonry Chimney Flashing	1 lb.	116.00	Y
ICTMSC	4" & 5" Storm Collar	2 lbs.	30.00	Y
ICTM4RD	Restrictor Disk	1 lb.	17.00	Y
ICTMVSS	4" & 5" Vinyl Siding Standoff	3 lbs.	116.00	Y
ICTM4CAA	4" Coaxial to Colinear Appliance Adapter	3 lbs.	339.00	Y
ICTM4CA6	4" x 6" Type A Chimney Adapter	4 lbs.	442.00	Y
ICTM4CA7	4" x 7" Type A Chimney Adapter	4 lbs.	442.00	Y
ICTM4CA8	4" x 8" Type A Chimney Adapter	4 lbs.	442.00	Y
ICTMCFAA3	4" & 5" Flex Liner Connector 3"	1 lb.	79.00	Y
ICTM4AA1	4" Vermont Castings Adapter	1 lb.	103.00	Y
ICTM4AA2	4" Valor Adapter	1 lb.	81.00	Y
ICTM4AA3	4" Napoleon Adapter	1 lb.	94.00	Y
ICTM4AA4	4" Kingsman Adapter	1 lb.	226.00	LTSD
ICTM4AA6	4" Archgard Adapter	1 lb.	81.00	Y
ICTM4AA7	4" x 7" Regency Adapter	1 lb.	90.00	Y
ICTMCTS	4" & 5" Wind/Rain Shield - Traditional Caps		120.00	Y
ICTMCFAA4	Flex Liner Connector - 4"		84.00	Y
ICTM4CFA	4" x 7" Enviro Coaxial Flex Adapter - Flex not Included		275.00	Y
ICUM6UBTR	Adjustable 6" Conical Trim Ring		31.00	Y
ICUM8UBTR	Adjustable 8" Conical Trim Ring		39.00	Y



Round Support/Radiation Shield



Black Pipe Length



Horizontal Termination



Attic Radiation Shield



Adjustable Wall Support



Storm Collar



Industrial Chimney Company

5" EXCEL Direct - (5" I.D. - 7 7/8" O.D.)



5" Galvanized Lengths and Elbows				
Item No.	Description	Wt./Cs.	Retail	Stocked
ICTC5DL6	6" Galvalume Length	2 lbs.	\$71.00	Y
ICTC5DL9	9" Galvalume Length	2 lbs.	81.00	Y
ICTC5DL1	12" Galvalume Length	3 lbs.	92.00	Y
ICTC5DL2	24" Galvalume Length	5 lbs.	127.00	Y
ICTC5DL3	36" Galvalume Length		161.00	Y
ICTC5DL4	48" Galvalume Length	10 lbs.	183.00	Y
ICTC5DLS1	12" Galvalume Slip Length		92.00	Y
ICTC5DLS2	24" Galvalume Slip Length		127.00	Y
ICTC5DLA30	18"-30" Adjustable Galvalume Length		174.00	Y
ICTE5DE30	Galvalume 30° Elbow	2 lbs.	129.00	Y
ICTE5DE45	Galvalume 45° Elbow	3 lbs.	129.00	Y
ICTE5DE90	Galvalume 90° Elbow	4 lbs.	151.00	Y
5" Black Lengths and Elbows				
ICTC5DL6B	6" Black Length	2 lbs.	\$123.00	Y
ICTC5DL9B	9" Black Length	2 lbs.	123.00	Y
ICTC5DL1B	12" Black Length	3 lbs.	133.00	Y
ICTC5DL2B	24" Black Length	6 lbs.	177.00	Y
ICTC5DL3B	36" Black Length		215.00	Y
ICTC5DL4B	48" Black Length	11 lbs.	254.00	Y
ICTC5DLA30B	18"-30" Adjustable Black Length		259.00	Y
ICTC5DLS1B	12" Black Slip Length		133.00	Y
ICTC5DLS2B	24" Black Slip Length		177.00	Y
ICTE5DE45B	Black 45° Elbow	3 lbs.	187.00	Y
ICTE5DE90B	Black 90° Elbow	4 lbs.	222.00	Y
ICTM5AA6	Adapter 5" x 8" - Montigo		81.00	Y
ICTM5TA1	Termination Adapter - Montigo		75.00	Y
5" Supports and Firestops				
ICTM5SS	Square Support/Radiation Shield	16 lbs.	\$300.00	Y
ICTM5RDS	Round Support/Radiation Shield	9 lbs.	265.00	Y
ICTM5CS	Ceiling Support/Firestop	3 lbs.	81.00	Y
ICTM5WT	Insulated Wall Thimble (Can be Used in 2x4 Wall)	6 lbs.	189.00	Y
ICTM5WTE	Wall Thimble Extension		157.00	Y
ICTM5AS	Attic Radiation Shield/Firestop	7 lbs.	233.00	Y
ICTMWS	4" & 5" Adjustable Wall Support	2 lbs.	51.00	Y
ICTMOS	4" & 5" Offset Support	1 lb.	40.00	Y
ICTM5TR	Black Trim Ring	4 lbs.	58.00	Y
ICTM5TP	Black Trim Plate		40.00	Y
5x8 Flashings				
ICXF6EF	Flat 2/12 Pitch		\$168.00	N
ICXF6EFA	1/12 - 7/12 Pitch		168.00	N
ICXF6EFB	8/12 - 12/12 Pitch		179.00	N



Industrial Chimney Company

5" EXCEL Direct - (5" I.D. - 7 7/8" O.D.)



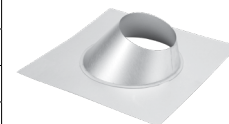
5" Caps, Flashings and Adapters				
Item No.	Description	Wt./Cs.	Retail	Stocked
ICTM5SVT	Small Vertical Termination - Stainless Steel		\$304.00	Y
ICTM5HT	Horizontal Termination w/5" Adj.	9 lbs.	434.00	Y
ICTM5RHT	Round Horizontal Termination		481.00	N
ICTM5ST36	36" Snorkel Termination	25 lbs.	1,441.00	Y
ICTMIVT	4" & 5" Insert Vertical Termination	5 lbs.	364.00	Y
ICXF6EF	Flat Flashing	6 lbs.	168.00	Y
ICXF6EFA	Adjustable Flashing 1/12 - 6/12	6 lbs.	168.00	Y
ICXF6EFB	Adjustable Flashing 7/12 - 12/12	8 lbs.	179.00	Y
ICTMSC	4" & 5" Storm Collar	2 lbs.	30.00	Y
ICTMSQSC	4" & 5" Storm Collar for Square Support	2 lbs.	36.00	Y
ICTMCFAA3	4" & 5" Flex Liner Connector 3"	1 lb.	79.00	Y
ICTMVSS	4" & 5" Vinyl Siding Standoff	3 lbs.	116.00	Y
ICTMR54	Direct Vent 5"-4" Reducer		140.00	Y
ICTMMA	Masonry Adapter		200.00	Y
ICTMMTA	Masonry Termination Adapter		161.00	Y
ICTMCTA	Co-Linear Termination Adapter		293.00	Y
ICTM5AA1	5" Kingsman Adapter		161.00	Y
ICTM5AA3	5" x 8" Regency Adapter		92.00	Y
ICTM5AA4	5" x 4" Regency Adapter		84.00	N
ICTMCTS	4" & 5" Wind/Rain Shield - Traditional Caps		120.00	Y
ICTM5CFA	5" x 8" Enviro Coaxial Flex Adapter		292.00	Y
ICTM5AA7	5" x 7" Regency Adapter	1 lb.	58.00	N
ICTM5AA8	5"x8" Faber Adapter	1.3 lbs.	92.00	N
Flex Kits				
ICTMALK33	Standard 3" x 3" Co-Linear Flex Kit - Includes (x2) 35ft Lengths, S/S Round High Wind Cap, S/S Flashing		\$708.00	Y
ICTMALK43	Standard 4" x 3" Co-Linear Flex Kit - Includes (x2) 35ft Lengths, S/S Round High Wind Cap, S/S Flashing		747.00	Y
ICTMALT33	Traditional 3" x 3" Co-Linear Flex Kit - Includes (x2) 35ft Lengths, S/S Rectangular Cap, Galvalume Flashing		708.00	Y
ICTMALT43	Traditional 4" x 3" Co-Linear Flex Kit - Includes (x2) 35ft Lengths, S/S Rectangular Cap, Galvalume Flashing		747.00	Y
ICTMALC4	Masonry Chimney Conversion Kit		708.00	Y
ICTC3AL35	3" x 35' Aluminum Flex Roll		252.00	Y
ICTC4AL35	4" x 35' Aluminum Flex Roll		364.00	Y
ICTC3AL50	3" x 50' Aluminum Flex Roll		410.00	Y
ICTC4AL50	4" x 50' Aluminum Flex Roll		570.00	Y
ICTMALH	Horizontal Vent Kit - Includes Two 5' Lengths of 3" Flex, Four Hose Clamps and a Firestop/Template for the Wall - Compatible with Enviro Q1 Gas Insert Glass and Log Models		439.00	Y



Deluxe Horizontal Termination



Trim Ring



Adjustable Flashing



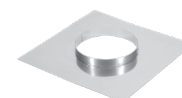
Square Support/Radiation Shield



Offset Support



Galvalume 45°/90° Elbows



Masonry Chimney Flashing



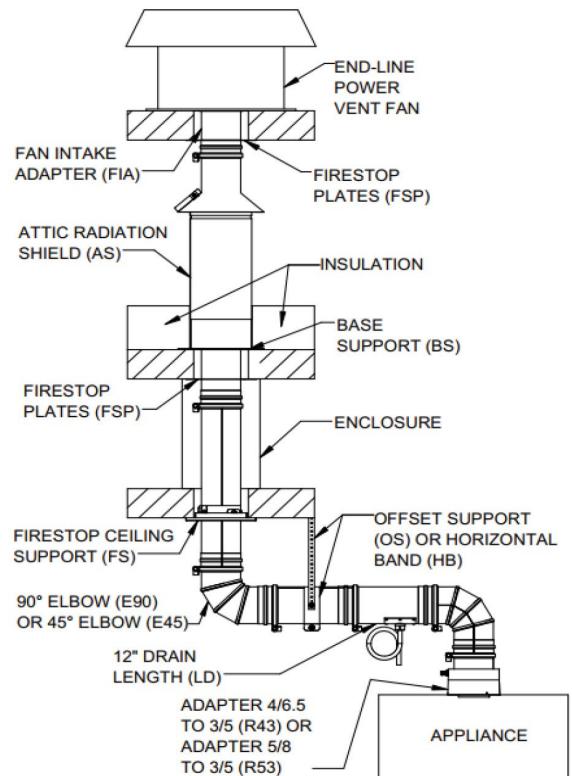
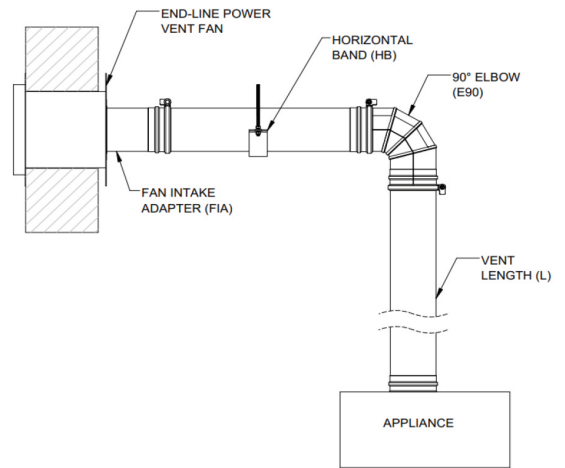
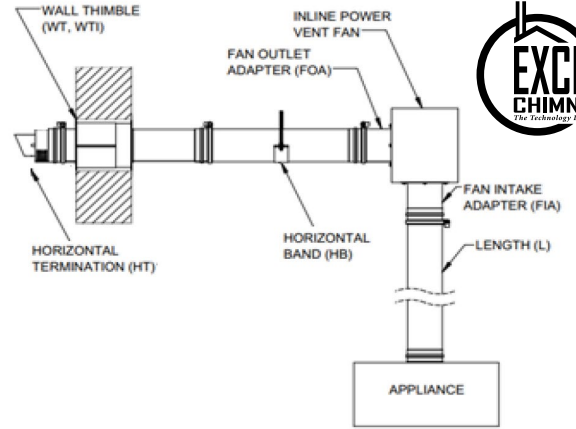
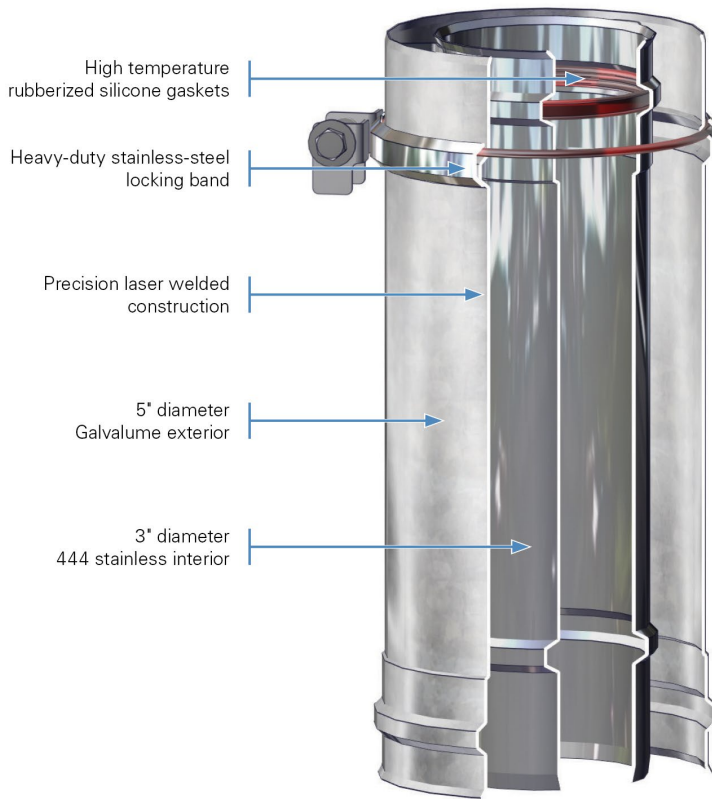
Industrial Chimney Company

Excel Direct Power Vent (3x5)



EXCEL Direct Power Vent is the essential solution to pressurized direct vent systems. Ideal for direct vent appliances with a power termination or in-line fan. It is listed to a higher temperature rating than other brands and has the tightest seals on the market.

No taping of joints or sealants are required, and it arrives clean without lubricant on the gaskets. Just fast, easy, clean assembly.





Industrial Chimney Company

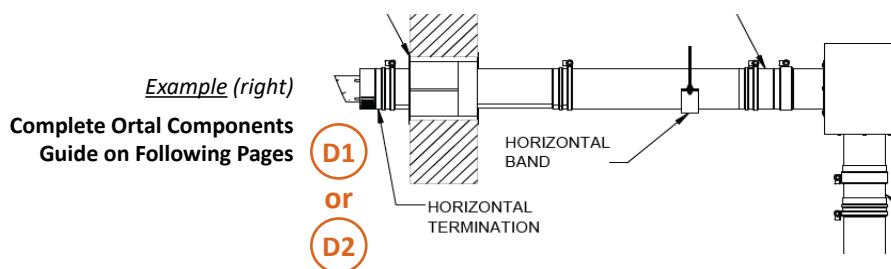
Excel Direct Power Vent (3x5)



OR Symbol means required components for Ortal Fireplaces installations.

All required components are specific to a particular venting configuration - either **Flush Mount** or **Inline**. See next pages for detailed "steps" and images for additional help.

Power Vent Lengths				
Item No.	Description	Wt./Cs.	Retail	Stocked
ICTU35DPL6	6" Length	-	\$83.00	Y
ICTU35DPL1	12" Length	-	117.00	Y
ICTU35DPL2	24" Length	-	130.00	Y
ICTU35DPL3	36" Length	-	158.00	Y
ICTU35DPL4	48" Length	-	185.00	Y
ICTU35DPLD	12" Length with drain	-	266.00	Y
ICTU35DPLS1	12" Slip Length	-	144.00	Y
ICTU35DPLS2	24" Slip Length	-	206.00	Y
Power Vent Elbows				
ICTV35DPE30	Elbow 30°	-	\$171.00	N
ICTV35DPE45	Elbow 45°	-	178.00	Y
ICTV35DPE90	Elbow 90°	-	197.00	Y
Power Vent Supports & Firestops				
ICTX35DPWT	Wall Thimble	-	\$171.00	Y
ICTX35DPWTI	Insulated Wall Thimble	-	239.00	Y
ICTX35DPFS	Firestop Ceiling Support	-	83.00	Y
ICTX35DPFSP	Firestop Plates	-	25.00	Y
ICTX35DPBS	Base Support	-	103.00	Y
ICTX35DPWS	Wall Support	-	97.00	Y
ICTX35DPOS	Offset Support	-	42.00	Y
ICTX35DPSR	Roof Support	-	76.00	Y
ICTX35DPHB	Horizontal Band	-	31.00	Y
ICTX35DPAS	Attic Radiation Shield	-	171.00	Y
Power Vent Terminations				
ICTX35DPHT	OR Horizontal Termination (Ref# on Guide - D1)	-	\$151.00	Y
ICTX35DPVT	OR Vertical Termination (Ref# on Guide - D2)	-	171.00	Y





Industrial Chimney Company

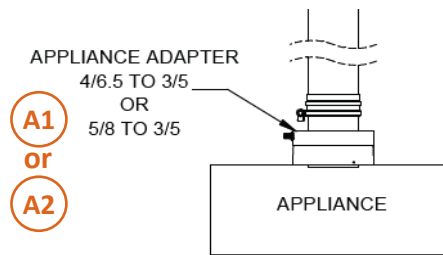
Excel Direct Power Vent (3x5)



Power Vent Flashings and Collars				
Item No.	Description	Wt./Cs.	Retail	Stocked
ICTW35DPF	Flat Flashing	-	\$76.00	Y
ICTW35DPFA	Flat Flashing 1/12-7/12	-	76.00	Y
ICTW35DPFB	Flat Flashing 8/12-12/12	-	83.00	Y
ICTW35DPSC	Storm Collar	-	25.00	Y
Power Vent Accessories				
ICTX35DPR43	Appliance Adapter 4/6.5 to 3/5 (Ref# on Guide - A1)	-	\$152.00	Y
ICTX35DPR53	Appliance Adapter 5/8 to 3/5 (Ref# on Guide - A2)	-	186.00	Y
ICTX35DPFAD	Universal Female Fan Adapter (Ref# on Guide - B1)	-	124.00	Y
ICTX35DPFIA	Fan Intake Adapter (Ref# on Guide - B2)	-	103.00	Y
ICTX35DPMAD	Universal Male Adapter (Ref# on Guide - C1)	-	138.00	Y
ICTX35DPFOA	Fan Outlet Adapter (Ref# on Guide - C2)	-	117.00	Y
ICTX35DPLB	Locking Band	-	21.00	Y

Symbol means required components for Ortal Fireplaces installations.
All required components are specific to a particular venting configuration - either **Flush Mount** or **Inline**. See next pages for detailed "steps" and images for additional help.

Example (right)
Complete Ortal Components
Guide on Following Pages



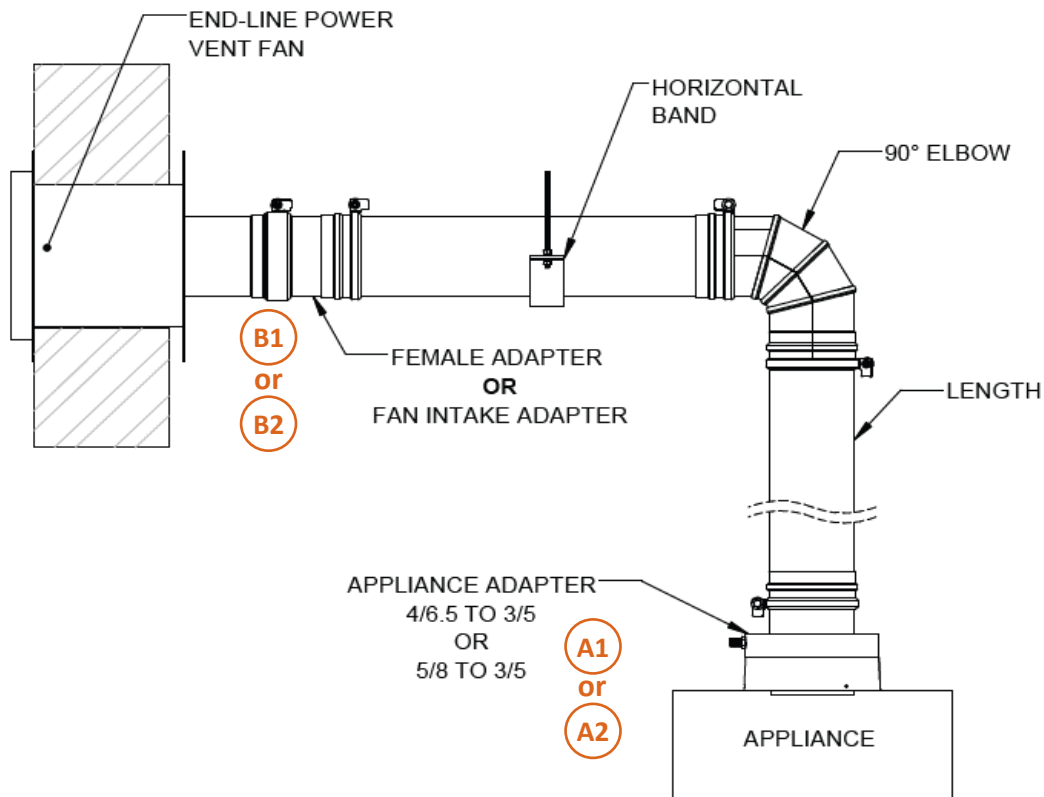


EXCELDirect Power Vent®

Required Components For Ortal Fireplaces

Flush Mount and Vertical Power Vent Installations

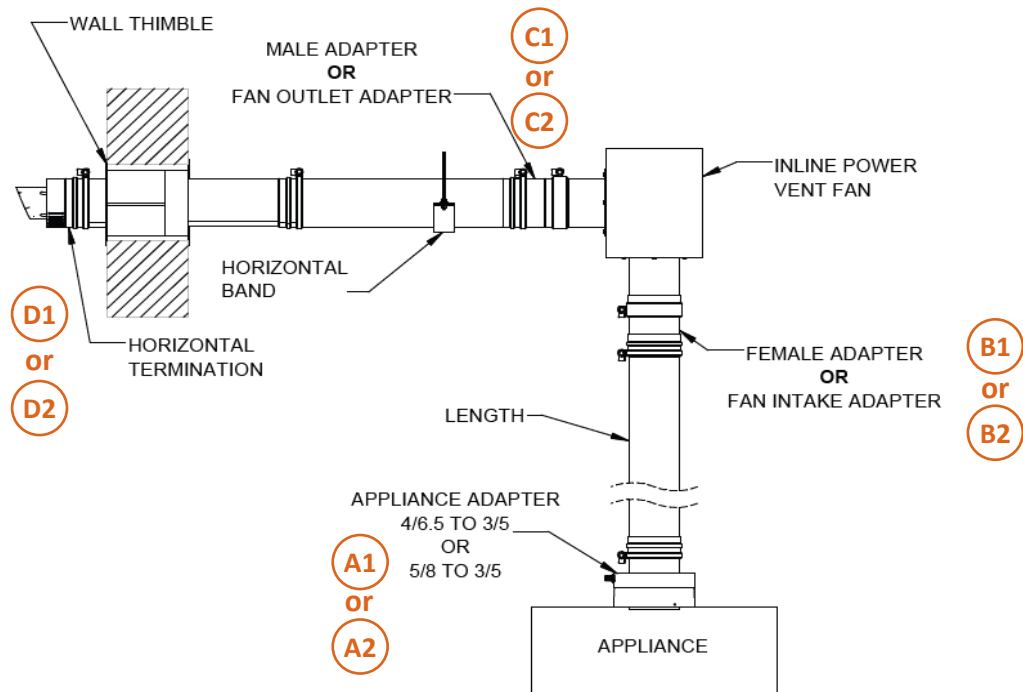
Part code	Part name	Description	Visual
1. Choose the appliance adapter required			
A1	TX-35DPR43	Appliance adapter 4x6 5/8	
	or	Use the DPR43 to connect to appliances with a 4" x 6 5/8" flue collar	
A2	TX-35DPR53	Appliance adapter 5/8	
	or	Use the DPR53 to connect to appliances with a 5" x 8" flue collar	
2. Fan Adapter Required			
B1	TX-35DPFAD	ICC/CVS Female adapter	
	or	An adapter is required to transition to the intake side of the Ortal power vent fan. Attaches to the Duravent CVS® fitting installed on the fan.	
B2	TX-35DPFIA	Fan intake adapter	
	or	For use on a PV fan when space is tight. Remove the Duravent adapter and install this one.	





Inline 180 and Inline 90 Power Vent Installations

Part code	Part name	Description	Visual
1. Choose the appliance adapter required			
A1	TX-35DPR43 Appliance adapter 4x6 5/8	Use the DPR43 to connect to appliances with a 4" x 6 5/8" flue collar	
	or		
A2	TX-35DPR53 Appliance adapter 5/8	Use the DPR53 to connect to appliances with a 5" x 8" flue collar	
2. Choose the adapter to connect to the fan intake			
B1	TX-35DPFAD ICC/CVS Female adapter	An adapter is required to transition to the intake side of the Ortal power vent fan. Attaches to the Duravent CVS® fitting installed on the fan.	
	or		
B2	TX-35DPFIA Fan intake adapter	For use on a PV fan when space is tight. Remove the Duravent adapter and install this one	
3. Choose the adapter to connect to the fan outlet			
C1	TX-35DPMAD CVS/ICC Male adapter	An adapter is required to transition to the outlet side of the Ortal power vent fan. Attaches to the Duravent CVS® fitting installed on the fan.	
	or		
C2	TX-35DPFOA Fan outlet adapter	For use on a PV fan when space is tight. Remove the Duravent adapter and install this one.	
4. Choose a termination			
D1	TX-35DPHT Horizontal Termination	Required if terminating horizontally.	
	or		
D2	TX-35DPVT Vertical Termination	Required if terminating vertically.	





EXCELDirect Power Vent® vs CVS®

Lengths	EXCELDirect Power Vent	DuraVent CVS
6" Length	TU-35DPL6	35CVS-06
12" Length	TU-35DPL1	35CVS-12
24" Length	TU-35DPL2	35CVS-24
36" Length	TU-35DPL3	35CVS-36
48" Length	TU-35DPL4	N/A
12" Length with drain	TU-35DPLD	35CVS-CD
12" Slip Length	TU-35DPLS1	35CVS-12TA
24" Slip Length	TU-35DPLS2	N/A
Elbows	EXCELDirect Power Vent	DuraVent CVS
Elbow 45°	TV-35DPE45	35CVS-E45
Elbow 90°	TV-35DPE90	35CVS-E90
Supports & Firestops	EXCELDirect Power Vent	DuraVent CVS
Wall Thimble	TX-35DPWT	35CVS-WT
Insulated Wall Thimble	TX-35DPWTI	35CVS-WTP
Firestop Ceiling Support	TX-35DPFS	35CVS-FS
Firestop Plates	TX-35DPFSP	N/A
Base Support	TX-35DPBS	N/A
Wall Support	TX-35DPWS	35CVS-WS
Offset Support	TX-35DPOS	N/A
Roof Support	TX-35DPSR	35CVS-RS
Horizontal Band	TX-35DPHB	N/A
Attic Radiation Shield	TX-35DPAS	35CVS-IS
Terminations	EXCELDirect Power Vent	DuraVent CVS
Horizontal Termination	TX-35DPHT	35CVS-HCR
Vertical Termination	TX-35DPVT	35CVS-VC
Flashings and Collars	EXCELDirect Power Vent	DuraVent CVS
Flat Flashing	TW-35DPF	N/A
Flat Flashing 1/12-7/12	TW-35DPFA	35CVS-F
Flat Flashing 8/12-12/12	TW-35DPFB	35CVS-F
Storm Collar	TW-35DPSC	35CVS-SC
Accessories	EXCELDirect Power Vent	DuraVent CVS
Fan Intake Adapter	TX-35DPFIA	N/A
ICC/CVS Female Adapter	TX-35DPFAD	N/A
Fan Outlet Adapter	TX-35DPFOA	N/A
CVS/ICC Male Adapter	TX-35DPMAD	N/A
Adapter 4/6.5 to 3/5	TX-35DPR43	SASSMADP-4/6
Adapter 5/8 to 3/5	TX-35DPR53	SASSMADP-5/8
Locking Band	TX-35DPLB	N/A

